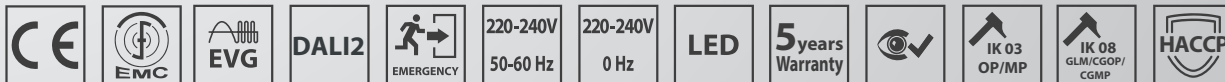


ODIS-LED-PB

IP66/IP50



Application: Recessed LED lighting fixture **designed for clean areas** in hospitals (operating theatres, Intensive Care Units, ambulances, surgery rooms, etc.), laboratories, microelectronics production, food industry. Housing made of white painted steel sheet (RAL9016), stainless steel AISI304 or AISI316 as option. Diffuser made of clear glass in combination with opal or microprismatic diffuser, opal or microprismatic plastic diffuser. **Clean screwless design for easy cleaning. Rounded edges of the frame eliminates the sediments and bacteriums creation.** Equipped with high quality electronic components **for high lifetime up to 100 000 h and efficiency up to 164 lm/W.** As standard also **available versions with CRI>90 and UGR<19.** Characterized by high lower degree of protection (IP66). Suitable for ambient temperatures from -20°C up to 60°C. Classified for **clean areas in compliance with ISO 14644-1.** **Connection by means of ADELS connector with no need to open luminaire – fast mounting and low costs for installation.** Large variability of luminaires according to installation types - false ceiling M600/625, metal ceiling M598/M623 or plasterboard / other atypical ceilings.

Ballast: EP – electronic 220-240 V/ 50-60 Hz AC, 220-240 V DC 0Hz

Light source: LED, 4000 K, CRI 80/90+, MacAdam3

Housing: White painted steel sheet RAL 9016

Diffuser: GLM – matt tempered safety glass

OP – opal plexiglass

MP – microprismatic plexiglass

CGOP - clear tempered safety glass + opal plexiglass

CGMP - clear tempered safety glass + microprismatic plexiglass

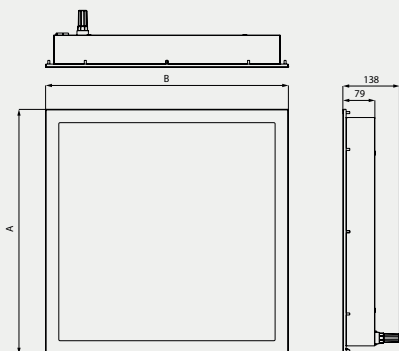
Fastening: Installation using nivellation set for plasterboard (included). Minimum height of mounting space is 200 mm

Connection: Connection by means of ADELS connector, maximum cross section of wires 2,5 mm²

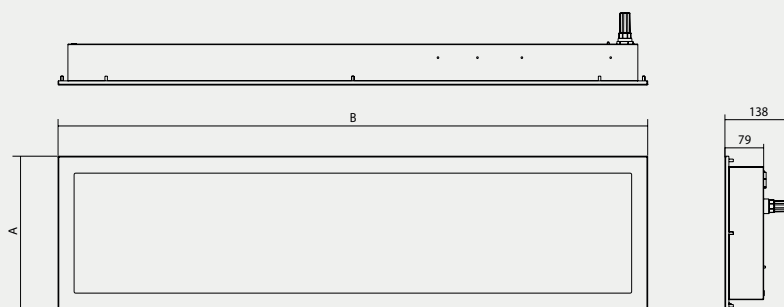
Standard equipment: ADELS connector – fast connection with no need to open the luminaire and nivellation set for plasterboard (4 pcs fastening holders)

Calculated lifetime – LED modules: L80B10 Ta30 – 70 000 h, L70B10 Ta30 – 100 000 h

SQ - SQUARE



R - RECTANGULAR



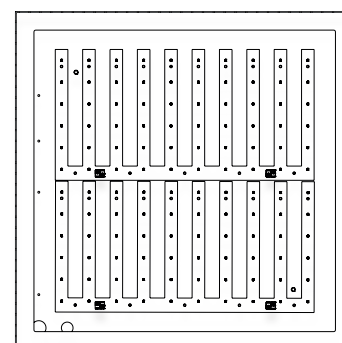
ADVANTAGES

- European product – Made in Czech Republic
- Elimination of sediments and easy cleaning because of clean screwless design
- Extreme fast installation because of used connector, no need to open luminaire
- Certified for clean areas in compliance with ISO 14644-1 class 4-9
- Wide variability of diffusers for different applications
- High energy efficiency up to 164 lm/W
- Homogenous lighting distribution

ODIS-LED

Full-screen LED modules inside.

This premium luminaire variant is characterised by homogeneous light dispersion.



Microelectronic
& Semiconductor
fabrication



Hospitals



Pharma
& Laboratories



Operating theater

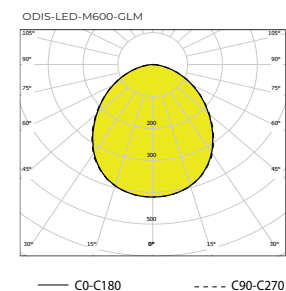


Food & beverages
production areas

Order number	Name	Lighting fixture luminous flux (lm)	Power input (W)	Rated power output (lm/W)	Ta max (°C)	Dimensions of lighting fixture A x B x C (mm)	Weight (kg)
SQ840							
085240	ODIS-LED-PB-SQ-GLM-3300-840, IP66/IP50	2750	17	162	60	650x650x79	13
085241	ODIS-LED-PB-SQ-GLM-4800-840, IP66/IP50	4069	27	151	60	650x650x79	13
085242	ODIS-LED-PB-SQ-GLM-6300-840, IP66/IP50	5357	37	145	60	650x650x79	13
085243	ODIS-LED-PB-SQ-GLM-7200-840, IP66/IP50	6205	41	151	60	650x650x79	13
085244	ODIS-LED-PB-SQ-GLM-8700-840, IP66/IP50	7443	49	152	60	650x650x79	13
085245	ODIS-LED-PB-SQ-GLM-12000-840, IP66/IP50	10224	70	146	45	650x650x79	13
R840							
085270	ODIS-LED-PB-R-GLM-3300-840, IP66/IP50	2553	17	150	60	1275x340x79	13
085271	ODIS-LED-PB-R-GLM-4800-840, IP66/IP50	3792	27	140	60	1275x340x79	13
085272	ODIS-LED-PB-R-GLM-6300-840, IP66/IP50	4992	37	135	60	1275x340x79	13
085273	ODIS-LED-PB-R-GLM-7200-840, IP66/IP50	5754	41	140	60	1275x340x79	13
085274	ODIS-LED-PB-R-GLM-8700-840, IP66/IP50	6869	49	140	55	1275x340x79	13
085275	ODIS-LED-PB-R-GLM-12000-840, IP66/IP50	9528	70	136	45	1275x340x79	13
SQ940							
085540	ODIS-LED-PB-SQ-GLM-3300-940, IP66/IP50	2337	17	137	60	650x650x79	13
085541	ODIS-LED-PB-SQ-GLM-4800-940, IP66/IP50	3459	27	128	60	650x650x79	13
085542	ODIS-LED-PB-SQ-GLM-6300-940, IP66/IP50	4554	37	123	60	650x650x79	13
085543	ODIS-LED-PB-SQ-GLM-7200-940, IP66/IP50	5275	41	129	60	650x650x79	13
085544	ODIS-LED-PB-SQ-GLM-8700-940, IP66/IP50	6326	49	129	60	650x650x79	13
085545	ODIS-LED-PB-SQ-GLM-12000-940, IP66/IP50	8690	70	124	45	650x650x79	13
R940							
085570	ODIS-LED-PB-R-GLM-3300-940, IP66/IP50	2172	17	128	60	1275x340x79	13
085571	ODIS-LED-PB-R-GLM-4800-940, IP66/IP50	3223	27	119	60	1275x340x79	13
085572	ODIS-LED-PB-R-GLM-6300-940, IP66/IP50	4246	37	115	60	1275x340x79	13
085573	ODIS-LED-PB-R-GLM-7200-940, IP66/IP50	4894	41	119	60	1275x340x79	13
085574	ODIS-LED-PB-R-GLM-8700-940, IP66/IP50	5840	49	119	55	1275x340x79	13
085575	ODIS-LED-PB-R-GLM-12000-940, IP66/IP50	8098	70	116	45	1275x340x79	13

Tolerance of luminous flux and power input of the lighting fixture +/- 10%

GLM – matt tempered safety glass

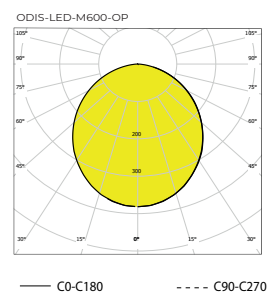


CLM - matt tempered safety glass

Order number	Name	Lighting fixture luminous flux (lm)	Power input (W)	Rated power output (lm/W)	Ta max (°C)	Dimensions of lighting fixture A x B x C (mm)	Weight (kg)
SQ840							
085246	ODIS-LED-PB-SQ-OP-3300-840, IP66/IP50	2653	17	156	60	650x650x79	9
085247	ODIS-LED-PB-SQ-OP-4800-840, IP66/IP50	3925	27	145	60	650x650x79	9
085248	ODIS-LED-PB-SQ-OP-6300-840, IP66/IP50	5168	37	140	60	650x650x79	9
085249	ODIS-LED-PB-SQ-OP-7200-840, IP66/IP50	5987	41	146	60	650x650x79	9
085250	ODIS-LED-PB-SQ-OP-8700-840, IP66/IP50	7180	49	147	60	650x650x79	9
085251	ODIS-LED-PB-SQ-OP-12000-840, IP66/IP50	9864	70	141	45	650x650x79	9
R840							
085276	ODIS-LED-PB-R-OP-3300-840, IP66/IP50	2447	17	144	60	1275x340x79	9
085277	ODIS-LED-PB-R-OP-4800-840, IP66/IP50	3634	27	135	60	1275x340x79	9
085278	ODIS-LED-PB-R-OP-6300-840, IP66/IP50	4785	37	129	60	1275x340x79	9
085279	ODIS-LED-PB-R-OP-7200-840, IP66/IP50	5515	41	135	60	1275x340x79	9
085280	ODIS-LED-PB-R-OP-8700-840, IP66/IP50	6584	49	134	60	1275x340x79	9
085281	ODIS-LED-PB-R-OP-12000-840, IP66/IP50	9132	70	130	45	1275x340x79	9
SQ940							
085546	ODIS-LED-PB-SQ-OP-3300-940, IP66/IP50	2255	17	133	60	650x650x79	9
085547	ODIS-LED-PB-SQ-OP-4800-940, IP66/IP50	3337	27	124	60	650x650x79	9
085548	ODIS-LED-PB-SQ-OP-6300-940, IP66/IP50	4394	37	119	60	650x650x79	9
085549	ODIS-LED-PB-SQ-OP-7200-940, IP66/IP50	5089	41	124	60	650x650x79	9
085550	ODIS-LED-PB-SQ-OP-8700-940, IP66/IP50	6104	49	125	60	650x650x79	9
085551	ODIS-LED-PB-SQ-OP-12000-940, IP66/IP50	8384	70	120	45	650x650x79	9
R940							
085576	ODIS-LED-PB-R-OP-3300-940, IP66/IP50	2082	17	122	60	1275x340x79	9
085577	ODIS-LED-PB-R-OP-4800-940, IP66/IP50	3089	27	114	60	1275x340x79	9
085578	ODIS-LED-PB-R-OP-6300-940, IP66/IP50	4069	37	110	60	1275x340x79	9
085579	ODIS-LED-PB-R-OP-7200-940, IP66/IP50	4690	41	114	60	1275x340x79	9
085580	ODIS-LED-PB-R-OP-8700-940, IP66/IP50	5597	49	114	55	1275x340x79	9
085581	ODIS-LED-PB-R-OP-12000-940, IP66/IP50	7762	70	111	45	1275x340x79	9

Tolerance of luminous flux and power input of the lighting fixture +/- 10%

OP - opal plexiglass

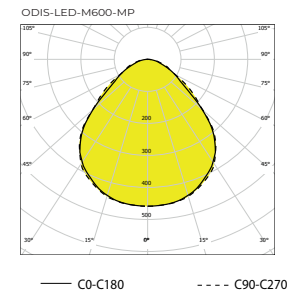


OP - opal plexiglass

MP - microprismatic plexiglass

Order number	Name	Lighting fixture luminous flux (lm)		Rated power output (lm/W)	Ta max (°C)	Dimensions of lighting fixture A x B x C (mm)	Weight (kg)
SQ840							
085252	ODIS-LED-PB-SQ-MP-3300-840, IP66/IP50	2788	17	164	60	650x650x79	9
085253	ODIS-LED-PB-SQ-MP-4800-840, IP66/IP50	4126	27	153	60	650x650x79	9
085254	ODIS-LED-PB-SQ-MP-6300-840, IP66/IP50	5432	37	147	60	650x650x79	9
085255	ODIS-LED-PB-SQ-MP-7200-840, IP66/IP50	6293	41	153	60	650x650x79	9
085256	ODIS-LED-PB-SQ-MP-8700-840, IP66/IP50	7547	49	154	60	650x650x79	9
085257	ODIS-LED-PB-SQ-MP-12000-840, IP66/IP50	10368	70	148	45	650x650x79	9
R840							
085282	ODIS-LED-PB-R-MP-3300-840, IP66/IP50	2582	17	152	60	1275x340x79	9
085283	ODIS-LED-PB-R-MP-4800-840, IP66/IP50	3835	27	142	60	1275x340x79	9
085284	ODIS-LED-PB-R-MP-6300-840, IP66/IP50	5049	37	136	60	1275x340x79	9
085285	ODIS-LED-PB-R-MP-7200-840, IP66/IP50	5820	41	142	60	1275x340x79	9
085286	ODIS-LED-PB-R-MP-8700-840, IP66/IP50	6947	49	142	55	1275x340x79	9
085287	ODIS-LED-PB-R-MP-12000-840, IP66/IP50	9636	70	138	45	1275x340x79	9
SQ940							
085552	ODIS-LED-PB-SQ-MP-3300-940, IP66/IP50	2370	17	139	60	650x650x79	9
085553	ODIS-LED-PB-SQ-MP-4800-940, IP66/IP50	3507	27	130	60	650x650x79	9
085554	ODIS-LED-PB-SQ-MP-6300-940, IP66/IP50	4618	37	125	60	650x650x79	9
085555	ODIS-LED-PB-SQ-MP-7200-940, IP66/IP50	5349	41	130	60	650x650x79	9
085556	ODIS-LED-PB-SQ-MP-8700-940, IP66/IP50	6416	49	131	60	650x650x79	9
085557	ODIS-LED-PB-SQ-MP-12000-940, IP66/IP50	8812	70	126	45	650x650x79	9
R940							
085582	ODIS-LED-PB-R-MP-3300-940, IP66/IP50	2197	17	129	60	1275x340x79	9
085583	ODIS-LED-PB-R-MP-4800-940, IP66/IP50	3260	27	121	60	1275x340x79	9
085584	ODIS-LED-PB-R-MP-6300-940, IP66/IP50	4294	37	116	60	1275x340x79	9
085585	ODIS-LED-PB-R-MP-7200-940, IP66/IP50	4949	41	121	60	1275x340x79	9
085586	ODIS-LED-PB-R-MP-8700-940, IP66/IP50	5906	49	121	55	1275x340x79	9
085587	ODIS-LED-PB-R-MP-12000-940, IP66/IP50	8190	70	117	45	1275x340x79	9

MP – microprismatic plexiglass

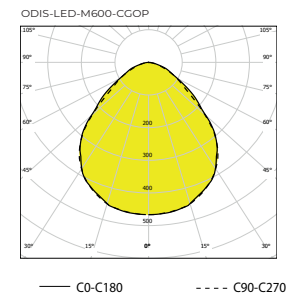


Tolerance of luminous flux and power input of the lighting fixture +/- 10%

CGOP - clear tempered safety glass + opal plexiglass

Order number	Name	Lighting fixture luminous flux (lm)		Rated power output (lm/W)	Ta max (°C)	Dimensions of lighting fixture A x B x C (mm)	Weight (kg)
SQ840							
085258	ODIS-LED-PB-SQ-CGOP-3300-840, IP66/IP50	2592	17	152	60	650x650x79	13
085259	ODIS-LED-PB-SQ-CGOP-4800-840, IP66/IP50	3835	27	142	60	650x650x79	13
085260	ODIS-LED-PB-SQ-CGOP-6300-840, IP66/IP50	5049	37	136	60	650x650x79	13
085261	ODIS-LED-PB-SQ-CGOP-7200-840, IP66/IP50	5849	41	143	60	650x650x79	13
085262	ODIS-LED-PB-SQ-CGOP-8700-840, IP66/IP50	7015	49	143	60	650x650x79	13
085263	ODIS-LED-PB-SQ-CGOP-12000-840, IP66/IP50	9636	70	138	45	650x650x79	13
R840							
085288	ODIS-LED-PB-R-CGOP-3300-840, IP66/IP50	2389	17	141	60	1275x340x79	13
085289	ODIS-LED-PB-R-CGOP-4800-840, IP66/IP50	3548	27	131	60	1275x340x79	13
085290	ODIS-LED-PB-R-CGOP-6300-840, IP66/IP50	4671	37	126	60	1275x340x79	13
085291	ODIS-LED-PB-R-CGOP-7200-840, IP66/IP50	5385	41	131	60	1275x340x79	13
085292	ODIS-LED-PB-R-CGOP-8700-840, IP66/IP50	6428	49	131	60	1275x340x79	13
085293	ODIS-LED-PB-R-CGOP-12000-840, IP66/IP50	8916	70	127	45	1275x340x79	13
SQ940							
085558	ODIS-LED-PB-SQ-CGOP-3300-940, IP66/IP50	2203	17	130	60	650x650x79	13
085559	ODIS-LED-PB-SQ-CGOP-4800-940, IP66/IP50	3260	27	121	60	650x650x79	13
085560	ODIS-LED-PB-SQ-CGOP-6300-940, IP66/IP50	4292	37	116	60	650x650x79	13
085561	ODIS-LED-PB-SQ-CGOP-7200-940, IP66/IP50	4972	41	121	60	650x650x79	13
085562	ODIS-LED-PB-SQ-CGOP-8700-940, IP66/IP50	5963	49	122	60	650x650x79	13
085563	ODIS-LED-PB-SQ-CGOP-12000-940, IP66/IP50	8190	70	117	45	650x650x79	13
R940							
085588	ODIS-LED-PB-R-CGOP-3300-940, IP66/IP50	2032	17	120	60	1275x340x79	13
085589	ODIS-LED-PB-R-CGOP-4800-940, IP66/IP50	3016	27	112	60	1275x340x79	13
085590	ODIS-LED-PB-R-CGOP-6300-940, IP66/IP50	3973	37	107	60	1275x340x79	13
085591	ODIS-LED-PB-R-CGOP-7200-940, IP66/IP50	4579	41	112	60	1275x340x79	13
085592	ODIS-LED-PB-R-CGOP-8700-940, IP66/IP50	5465	49	112	55	1275x340x79	13
085593	ODIS-LED-PB-R-CGOP-12000-940, IP66/IP50	7578	70	108	45	1275x340x79	13

CGOP - clear tempered safety glass + opal plexiglass

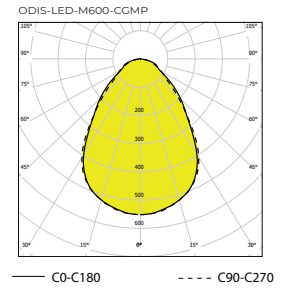


Tolerance of luminous flux and power input of the lighting fixture +/- 10%

Order number	Name	Lighting fixture luminous flux (lm)	Power input (W)	Rated power output (lm/W)	Ta max (°C)	Dimensions of lighting fixture A x B x C (mm)	Weight (kg)
SQ840							
085264	ODIS-LED-PB-SQ-CGMP-3300-840, IP66/IP50	2395	17	141	60	650x650x79	13
085265	ODIS-LED-PB-SQ-CGMP-4800-840, IP66/IP50	3543	27	131	60	650x650x79	13
085266	ODIS-LED-PB-SQ-CGMP-6300-840, IP66/IP50	4665	37	126	60	650x650x79	13
085267	ODIS-LED-PB-SQ-CGMP-7200-840, IP66/IP50	5404	41	132	60	650x650x79	13
085268	ODIS-LED-PB-SQ-CGMP-8700-840, IP66/IP50	6482	49	132	60	650x650x79	13
085269	ODIS-LED-PB-SQ-CGMP-12000-840, IP66/IP50	8904	70	127	45	650x650x79	13
R840							
085294	ODIS-LED-PB-R-CGMP-3300-840, IP66/IP50	2196	17	129	60	1275x340x79	13
085295	ODIS-LED-PB-R-CGMP-4800-840, IP66/IP50	3262	27	121	60	1275x340x79	13
085296	ODIS-LED-PB-R-CGMP-6300-840, IP66/IP50	4294	37	116	60	1275x340x79	13
085297	ODIS-LED-PB-R-CGMP-7200-840, IP66/IP50	4950	41	121	60	1275x340x79	13
085298	ODIS-LED-PB-R-CGMP-8700-840, IP66/IP50	5909	49	121	55	1275x340x79	13
085299	ODIS-LED-PB-R-CGMP-12000-840, IP66/IP50	8196	70	117	45	1275x340x79	13
SQ940							
085564	ODIS-LED-PB-SQ-CGMP-3300-940, IP66/IP50	2036	17	120	60	650x650x79	13
085565	ODIS-LED-PB-SQ-CGMP-4800-940, IP66/IP50	3012	27	112	60	650x650x79	13
085566	ODIS-LED-PB-SQ-CGMP-6300-940, IP66/IP50	3966	37	107	60	650x650x79	13
085567	ODIS-LED-PB-SQ-CGMP-7200-940, IP66/IP50	4594	41	112	60	650x650x79	13
085568	ODIS-LED-PB-SQ-CGMP-8700-940, IP66/IP50	5510	49	112	60	650x650x79	13
085569	ODIS-LED-PB-SQ-CGMP-12000-940, IP66/IP50	7568	70	108	45	650x650x79	13
R940							
085594	ODIS-LED-PB-R-CGMP-3300-940, IP66/IP50	1868	17	110	60	1275x340x79	13
085595	ODIS-LED-PB-R-CGMP-4800-940, IP66/IP50	2772	27	103	60	1275x340x79	13
085596	ODIS-LED-PB-R-CGMP-6300-940, IP66/IP50	3752	37	101	60	1275x340x79	13
085597	ODIS-LED-PB-R-CGMP-7200-940, IP66/IP50	4210	41	103	60	1275x340x79	13
085598	ODIS-LED-PB-R-CGMP-8700-940, IP66/IP50	5024	49	103	55	1275x340x79	13
085599	ODIS-LED-PB-R-CGMP-12000-940, IP66/IP50	7066	70	101	45	1275x340x79	13

Tolerance of luminous flux and power input of the lighting fixture +/- 10%

CGMP - clear tempered safety glass + microprismatic plexiglass



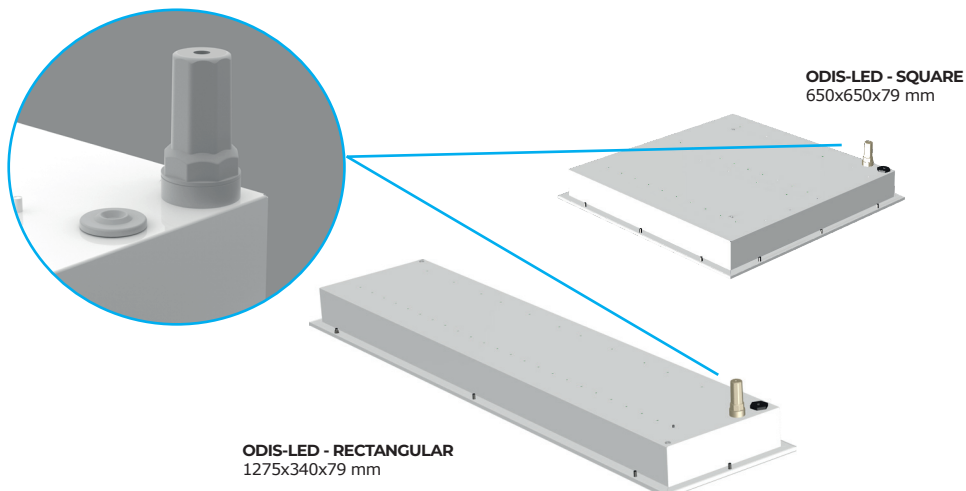
Diffuser options

<p>GLM – matt tempered safety glass</p>	<p>MP – microprismatic plexiglass CGMP - clear tempered safety glass + microprismatic plexiglass</p>	<p>OP – opal plexiglass CGOP - clear tempered safety glass + opal plexiglass</p>
--	--	--

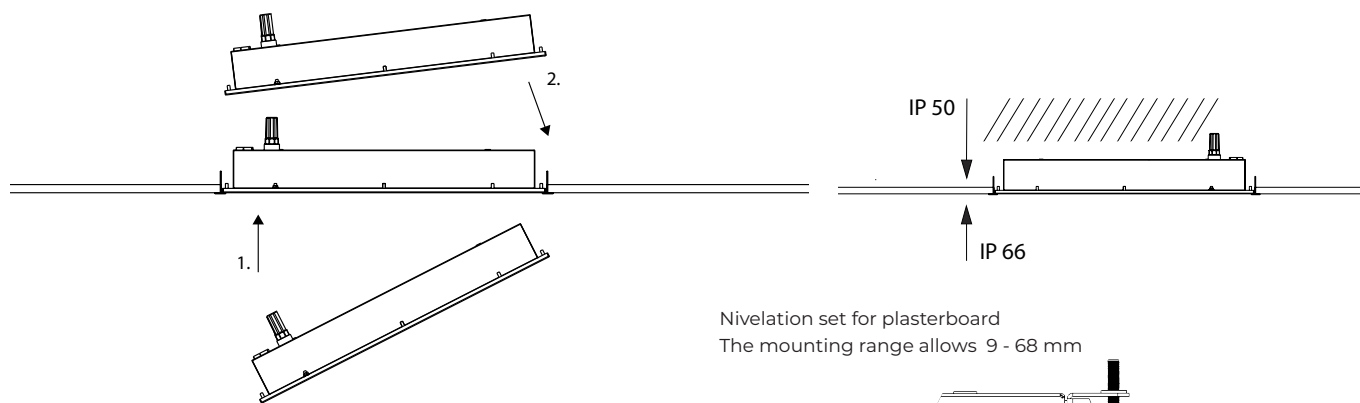
Lighting fixture detail

Integrated **ADELS CONNECTOR** allows for fast installation without a need to open luminaire. The luminaire will be connected to screwless terminal block and installed into false ceiling.

ROUNDED INNER EDGES OF THE FRAME – rounded inner edges eliminates the sediments of dust and impurities. This eliminates bacteriums creation and more easier cleaning of luminaire surface as well.



Easy and fast mounting



Accessories on request

051232 - Set of safety suspension ODIS

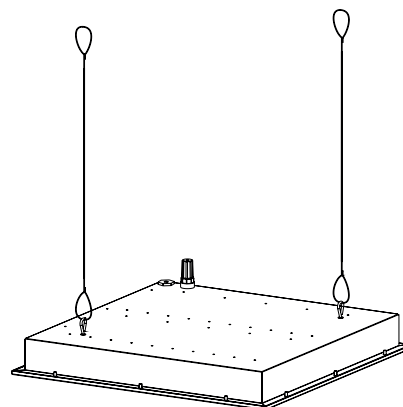
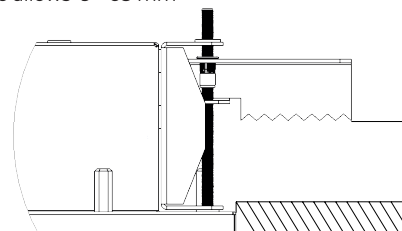
On request

MULTI – maintained emergency lighting is always on (standard luminaire with emergency lighting module) (1h, 3h)

DIM – dimmable electronic ballast (DALI2)

RAL – other colour scale

3000/4000/5000/6500 K – colour temperatures



Code of luminaire

ODIS-LED-PB -SQ-GLM-3300-840,IP66/IP50

name of luminaire

light source

type of ceiling

shape of luminaire R/SQ

type of diffuser

luminous flux of LED source

CRI and Tc value

protection from below

protection from above

You can find the **ODIS-LED** video here:

