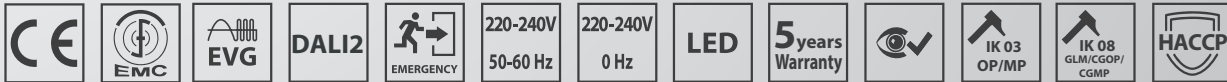


# ODIS-LED-M625

IP66/IP50



**Application:** Recessed LED lighting fixture **designed for clean areas** in hospitals (operating theatres, Intensive Care Units, ambulances, surgery rooms, etc.), laboratories, microelectronics production, food industry. Housing made of white painted steel sheet (RAL9016), stainless steel AISI304 or AISI316 as option. Diffuser made of clear glass in combination with opal or microprismatic diffuser, opal or microprismatic plastic diffuser. **Clean screwless design for easy cleaning. Rounded edges of the frame eliminates the sediments and bacteriums creation.** Equipped with high quality electronic components **for high lifetime up to 100 000 h and efficiency up to 162 lm/W.** As standard also **available versions with CRI>90 and UGR<19.** Characterized by high lower degree of protection (IP66). Suitable for ambient temperatures from -20°C up to 60°C. Classified for **clean areas in compliance with ISO 14644-1.** **Connection by means of ADELS connector with no need to open luminaire – fast mounting and low costs for installation.** Large variability of luminaires according to installation types - false ceiling M600/625, metal ceiling M598/M623 or plasterboard / other atypical ceilings.

**Ballast:** EP – electronic 220-240 V/ 50-60 Hz AC, 220-240 V DC 0Hz

**Light source:** LED, 4000 K, CRI 80/90+, MacAdam3

**Housing:** White painted steel sheet RAL 9016

**Diffuser:** GLM – matt tempered safety glass

OP – opal plexiglass

MP – microprismatic plexiglass

CGOP - clear tempered safety glass + opal plexiglass

CGMP - clear tempered safety glass + microprismatic plexiglass

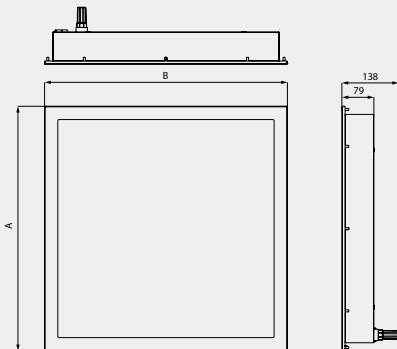
**Fastening:** Mounting into false ceilings of M600 modules. Minimum height of mounting space is 200 mm

**Connection:** Connection by means of ADELS connector, maximum cross section of wires 2,5 mm<sup>2</sup>

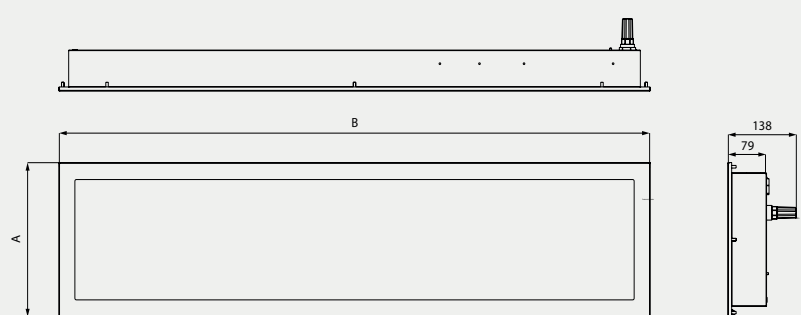
**Standard equipment:** ADELS connector – fast connection with no need to open the luminaire – connecting terminal block

**Calculated lifetime – LED modules:** L80B10 Ta30 – 70 000 h, L70B10 Ta30 – 100 000 h

## SQ - SQUARE



## R - RECTANGULAR



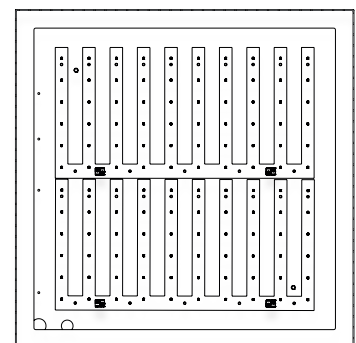
## ADVANTAGES

- European product – Made in Czech Republic
- Elimination of sediments and easy cleaning because of clean screwless design
- Extreme fast installation because of used connector, no need to open luminaire
- Certified for clean areas in compliance with ISO 14644-1 class 4-9
- Wide variability of diffusers for different applications
- High energy efficiency up to 164 lm/W
- Homogenous lighting distribution

## ODIS-LED

Full-screen LED modules inside.

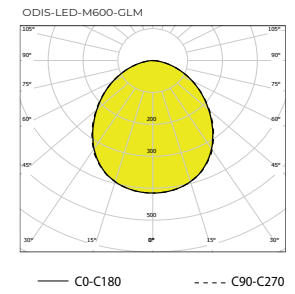
This premium luminaire variant is characterised by homogeneous light dispersion.



Order number	Name	Lighting fixture luminous flux (lm)	Power input (W)	Rated power output (lm/W)	Ta max (°C)	Dimensions of lighting fixture A x B x C (mm)	Weight (kg)
<b>SQ840</b>							
085060	ODIS-LED-M625-SQ-GLM-3300-840, IP66/IP50	2750	17	162	60	620x620x79	12
085061	ODIS-LED-M625-SQ-GLM-4800-840, IP66/IP50	4069	27	151	60	620x620x79	12
085062	ODIS-LED-M625-SQ-GLM-6300-840, IP66/IP50	5357	37	145	60	620x620x79	12
085063	ODIS-LED-M625-SQ-GLM-7200-840, IP66/IP50	6205	41	151	60	620x620x79	12
085064	ODIS-LED-M625-SQ-GLM-8700-840, IP66/IP50	7443	49	152	60	620x620x79	12
085065	ODIS-LED-M625-SQ-GLM-12000-840, IP66/IP50	10224	70	146	45	620x620x79	12
<b>R840</b>							
085090	ODIS-LED-M625-R-GLM-3300-840, IP66/IP50	2553	17	150	60	1245x310x79	12
085091	ODIS-LED-M625-R-GLM-4800-840, IP66/IP50	3792	27	140	60	1245x310x79	12
085092	ODIS-LED-M625-R-GLM-6300-840, IP66/IP50	4992	37	135	60	1245x310x79	12
085093	ODIS-LED-M625-R-GLM-7200-840, IP66/IP50	5754	41	140	60	1245x310x79	12
085094	ODIS-LED-M625-R-GLM-8700-840, IP66/IP50	6869	49	140	55	1245x310x79	12
085095	ODIS-LED-M625-R-GLM-12000-840, IP66/IP50	9528	70	136	45	1245x310x79	12
<b>SQ940</b>							
085360	ODIS-LED-M625-SQ-GLM-3300-940, IP66/IP50	2337	17	137	60	620x620x79	12
085361	ODIS-LED-M625-SQ-GLM-4800-940, IP66/IP50	3459	27	128	60	620x620x79	12
085362	ODIS-LED-M625-SQ-GLM-6300-940, IP66/IP50	4554	37	123	60	620x620x79	12
085363	ODIS-LED-M625-SQ-GLM-7200-940, IP66/IP50	5275	41	129	60	620x620x79	12
085364	ODIS-LED-M625-SQ-GLM-8700-940, IP66/IP50	6326	49	129	60	620x620x79	12
085365	ODIS-LED-M625-SQ-GLM-12000-940, IP66/IP50	8690	70	124	45	620x620x79	12
<b>R940</b>							
085390	ODIS-LED-M625-R-GLM-3300-940, IP66/IP50	2172	17	128	60	1245x310x79	12
085391	ODIS-LED-M625-R-GLM-4800-940, IP66/IP50	3223	27	119	60	1245x310x79	12
085392	ODIS-LED-M625-R-GLM-6300-940, IP66/IP50	4246	37	115	60	1245x310x79	12
085393	ODIS-LED-M625-R-GLM-7200-940, IP66/IP50	4894	41	119	60	1245x310x79	12
085394	ODIS-LED-M625-R-GLM-8700-940, IP66/IP50	5840	49	119	55	1245x310x79	12
085395	ODIS-LED-M625-R-GLM-12000-940, IP66/IP50	8098	70	116	45	1245x310x79	12

Tolerance of luminous flux and power input of the lighting fixture +/- 10%

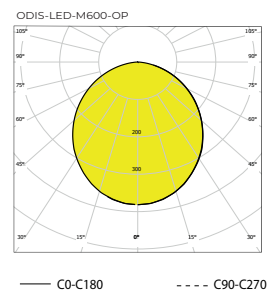
GLM – matt tempered safety glass



Order number	Name	Lighting fixture luminous flux (lm)	Power input (W)	Rated power output (lm/W)	Ta max (°C)	Dimensions of lighting fixture A x B x C (mm)	Weight (kg)
<b>SQ840</b>							
085066	ODIS-LED-M625-SQ-OP-3300-840, IP66/IP50	2653	17	156	60	620x620x79	8
085067	ODIS-LED-M625-SQ-OP-4800-840, IP66/IP50	3925	27	145	60	620x620x79	8
085068	ODIS-LED-M625-SQ-OP-6300-840, IP66/IP50	5168	37	140	60	620x620x79	8
085069	ODIS-LED-M625-SQ-OP-7200-840, IP66/IP50	5987	41	146	60	620x620x79	8
085070	ODIS-LED-M625-SQ-OP-8700-840, IP66/IP50	7180	49	147	60	620x620x79	8
085071	ODIS-LED-M625-SQ-OP-12000-840, IP66/IP50	9864	70	141	45	620x620x79	8
<b>R840</b>							
085096	ODIS-LED-M625-R-OP-3300-840, IP66/IP50	2447	17	144	60	1245x310x79	8
085097	ODIS-LED-M625-R-OP-4800-840, IP66/IP50	3634	27	135	60	1245x310x79	8
085098	ODIS-LED-M625-R-OP-6300-840, IP66/IP50	4785	37	129	60	1245x310x79	8
085099	ODIS-LED-M625-R-OP-7200-840, IP66/IP50	5515	41	135	60	1245x310x79	8
085100	ODIS-LED-M625-R-OP-8700-840, IP66/IP50	6584	49	134	60	1245x310x79	8
085101	ODIS-LED-M625-R-OP-12000-840, IP66/IP50	9132	70	130	45	1245x310x79	8
<b>SQ940</b>							
085366	ODIS-LED-M625-SQ-OP-3300-940, IP66/IP50	2255	17	133	60	620x620x79	8
085367	ODIS-LED-M625-SQ-OP-4800-940, IP66/IP50	3337	27	124	60	620x620x79	8
085368	ODIS-LED-M625-SQ-OP-6300-940, IP66/IP50	4394	37	119	60	620x620x79	8
085369	ODIS-LED-M625-SQ-OP-7200-940, IP66/IP50	5089	41	124	60	620x620x79	8
085370	ODIS-LED-M625-SQ-OP-8700-940, IP66/IP50	6104	49	125	60	620x620x79	8
085371	ODIS-LED-M625-SQ-OP-12000-940, IP66/IP50	8384	71	120	45	620x620x79	8
<b>R940</b>							
085396	ODIS-LED-M625-R-OP-3300-940, IP66/IP50	2082	17	122	60	1245x310x79	8
085397	ODIS-LED-M625-R-OP-4800-940, IP66/IP50	3089	27	114	60	1245x310x79	8
085398	ODIS-LED-M625-R-OP-6300-940, IP66/IP50	4069	37	110	60	1245x310x79	8
085399	ODIS-LED-M625-R-OP-7200-940, IP66/IP50	4690	41	114	60	1245x310x79	8
085400	ODIS-LED-M625-R-OP-8700-940, IP66/IP50	5597	49	114	55	1245x310x79	8
085401	ODIS-LED-M625-R-OP-12000-940, IP66/IP50	7762	70	111	45	1245x310x79	8

Tolerance of luminous flux and power input of the lighting fixture +/- 10%

OP - opal plexiglass



CLM - matt tempered safety glass

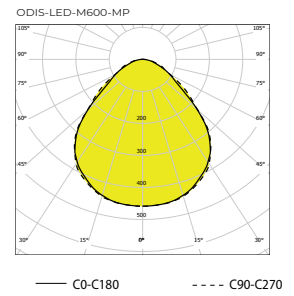
OP - opal plexiglass

MP - microprismatic plexiglass

Order number	Name	Lighting fixture luminous flux (lm)	Power input (W)	Rated power output (lm/W)	Ta max (°C)	Dimensions of lighting fixture A x B x C (mm)	Weight (kg)
<b>SQ840</b>							
085072	ODIS-LED-M625-SQ-MP-3300-840, IP66/IP50	2788	17	164	60	620x620x79	8
085073	ODIS-LED-M625-SQ-MP-4800-840, IP66/IP50	4126	27	153	60	620x620x79	8
085074	ODIS-LED-M625-SQ-MP-6300-840, IP66/IP50	5432	37	147	60	620x620x79	8
085075	ODIS-LED-M625-SQ-MP-7200-840, IP66/IP50	6293	41	153	60	620x620x79	8
085076	ODIS-LED-M625-SQ-MP-8700-840, IP66/IP50	7547	49	154	60	620x620x79	8
085077	ODIS-LED-M625-SQ-MP-12000-840, IP66/IP50	10368	70	148	45	620x620x79	8
<b>R840</b>							
085102	ODIS-LED-M625-R-MP-3300-840, IP66/IP50	2582	17	152	60	1245x310x79	8
085103	ODIS-LED-M625-R-MP-4800-840, IP66/IP50	3835	27	142	60	1245x310x79	8
085104	ODIS-LED-M625-R-MP-6300-840, IP66/IP50	5049	37	136	60	1245x310x79	8
085105	ODIS-LED-M625-R-MP-7200-840, IP66/IP50	5820	41	142	60	1245x310x79	8
085106	ODIS-LED-M625-R-MP-8700-840, IP66/IP50	6947	49	142	55	1245x310x79	8
085107	ODIS-LED-M625-R-MP-12000-840, IP66/IP50	9636	70	138	45	1245x310x79	8
<b>SQ940</b>							
085372	ODIS-LED-M625-SQ-MP-3300-940, IP66/IP50	2370	17	139	60	620x620x79	8
085373	ODIS-LED-M625-SQ-MP-4800-940, IP66/IP50	3507	27	130	60	620x620x79	8
085374	ODIS-LED-M625-SQ-MP-6300-940, IP66/IP50	4618	37	125	60	620x620x79	8
085375	ODIS-LED-M625-SQ-MP-7200-940, IP66/IP50	5349	41	130	60	620x620x79	8
085376	ODIS-LED-M625-SQ-MP-8700-940, IP66/IP50	6416	49	131	60	620x620x79	8
085377	ODIS-LED-M625-SQ-MP-12000-940, IP66/IP50	8812	70	126	45	620x620x79	8
<b>R940</b>							
085402	ODIS-LED-M625-R-MP-3300-940, IP66/IP50	2197	17	129	60	1245x310x79	8
085403	ODIS-LED-M625-R-MP-4800-940, IP66/IP50	3260	27	121	60	1245x310x79	8
085404	ODIS-LED-M625-R-MP-6300-940, IP66/IP50	4294	37	116	60	1245x310x79	8
085405	ODIS-LED-M625-R-MP-7200-940, IP66/IP50	4949	41	121	60	1245x310x79	8
085406	ODIS-LED-M625-R-MP-8700-940, IP66/IP50	5906	49	121	55	1245x310x79	8
085407	ODIS-LED-M625-R-MP-12000-940, IP66/IP50	8190	70	117	45	1245x310x79	8

Tolerance of luminous flux and power input of the lighting fixture +/- 10%

**MP** – microprismatic plexiglass

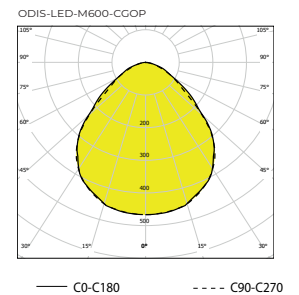


CGOP - clear tempered safety glass + opal plexiglass

Order number	Name	Lighting fixture luminous flux (lm)	Power input (W)	Rated power output (lm/W)	Ta max (°C)	Dimensions of lighting fixture A x B x C (mm)	Weight (kg)
<b>SQ840</b>							
085078	ODIS-LED-M625-SQ-CGOP-3300-840, IP66/IP50	2592	17	152	60	620x620x79	12
085079	ODIS-LED-M625-SQ-CGOP-4800-840, IP66/IP50	3835	27	142	60	620x620x79	12
085080	ODIS-LED-M625-SQ-CGOP-6300-840, IP66/IP50	5049	37	136	60	620x620x79	12
085081	ODIS-LED-M625-SQ-CGOP-7200-840, IP66/IP50	5849	41	143	60	620x620x79	12
085082	ODIS-LED-M625-SQ-CGOP-8700-840, IP66/IP50	7015	49	143	60	620x620x79	12
085083	ODIS-LED-M625-SQ-CGOP-12000-840, IP66/IP50	9636	70	138	45	620x620x79	12
<b>R840</b>							
085108	ODIS-LED-M625-R-CGOP-3300-840, IP66/IP50	2389	17	141	60	1245x310x79	12
085109	ODIS-LED-M625-R-CGOP-4800-840, IP66/IP50	3548	27	131	60	1245x310x79	12
085110	ODIS-LED-M625-R-CGOP-6300-840, IP66/IP50	4671	37	126	60	1245x310x79	12
085111	ODIS-LED-M625-R-CGOP-7200-840, IP66/IP50	5385	41	131	60	1245x310x79	12
085112	ODIS-LED-M625-R-CGOP-8700-840, IP66/IP50	6428	49	131	60	1245x310x79	12
085113	ODIS-LED-M625-R-CGOP-12000-840, IP66/IP50	8916	70	127	45	1245x310x79	12
<b>SQ940</b>							
085378	ODIS-LED-M625-SQ-CGOP-3300-940, IP66/IP50	2203	17	130	60	620x620x79	12
085379	ODIS-LED-M625-SQ-CGOP-4800-940, IP66/IP50	3260	27	121	60	620x620x79	12
085380	ODIS-LED-M625-SQ-CGOP-6300-940, IP66/IP50	4292	37	116	60	620x620x79	12
085381	ODIS-LED-M625-SQ-CGOP-7200-940, IP66/IP50	4972	41	121	60	620x620x79	12
085382	ODIS-LED-M625-SQ-CGOP-8700-940, IP66/IP50	5963	49	122	60	620x620x79	12
085383	ODIS-LED-M625-SQ-CGOP-12000-940, IP66/IP50	8190	70	117	45	620x620x79	12
<b>R940</b>							
085408	ODIS-LED-M625-R-CGOP-3300-940, IP66/IP50	2032	17	120	60	1245x310x79	12
085409	ODIS-LED-M625-R-CGOP-4800-940, IP66/IP50	3016	27	112	60	1245x310x79	12
085410	ODIS-LED-M625-R-CGOP-6300-940, IP66/IP50	3973	37	107	60	1245x310x79	12
085411	ODIS-LED-M625-R-CGOP-7200-940, IP66/IP50	4579	41	112	60	1245x310x79	12
085412	ODIS-LED-M625-R-CGOP-8700-940, IP66/IP50	5465	49	112	55	1245x310x79	12
085413	ODIS-LED-M625-R-CGOP-12000-940, IP66/IP50	7578	70	108	45	1245x310x79	12

Tolerance of luminous flux and power input of the lighting fixture +/- 10%

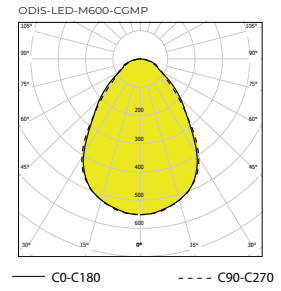
**CGOP** - clear tempered safety glass + opal plexiglass



Order number	Name	Lighting fixture luminous flux (lm)	Power input (W)	Rated power output (lm/W)	Ta max (°C)	Dimensions of lighting fixture A x B x C (mm)	Weight (kg)
<b>SQ840</b>							
085084	ODIS-LED-M625-SQ-CGMP-3300-840, IP66/IP50	2395	17	141	60	620x620x79	12
085085	ODIS-LED-M625-SQ-CGMP-4800-840, IP66/IP50	3543	27	131	60	620x620x79	12
085086	ODIS-LED-M625-SQ-CGMP-6300-840, IP66/IP50	4665	37	126	60	620x620x79	12
085087	ODIS-LED-M625-SQ-CGMP-7200-840, IP66/IP50	5404	41	132	60	620x620x79	12
085088	ODIS-LED-M625-SQ-CGMP-8700-840, IP66/IP50	6482	49	132	60	620x620x79	12
085089	ODIS-LED-M625-SQ-CGMP-12000-840, IP66/IP50	8904	70	127	45	620x620x79	12
<b>R840</b>							
085114	ODIS-LED-M625-R-CGMP-3300-840, IP66/IP50	2196	17	129	60	1245x310x79	12
085115	ODIS-LED-M625-R-CGMP-4800-840, IP66/IP50	3262	27	121	60	1245x310x79	12
085116	ODIS-LED-M625-R-CGMP-6300-840, IP66/IP50	4294	37	116	60	1245x310x79	12
085117	ODIS-LED-M625-R-CGMP-7200-840, IP66/IP50	4950	41	121	60	1245x310x79	12
085118	ODIS-LED-M625-R-CGMP-8700-840, IP66/IP50	5909	49	121	55	1245x310x79	12
085119	ODIS-LED-M625-R-CGMP-12000-840, IP66/IP50	8196	70	117	45	1245x310x79	12
<b>SQ940</b>							
085384	ODIS-LED-M625-SQ-CGMP-3300-940, IP66/IP50	2036	17	120	60	620x620x79	12
085385	ODIS-LED-M625-SQ-CGMP-4800-940, IP66/IP50	3012	27	112	60	620x620x79	12
085386	ODIS-LED-M625-SQ-CGMP-6300-940, IP66/IP50	3966	37	107	60	620x620x79	12
085387	ODIS-LED-M625-SQ-CGMP-7200-940, IP66/IP50	4594	41	112	60	620x620x79	12
085388	ODIS-LED-M625-SQ-CGMP-8700-940, IP66/IP50	5510	49	112	60	620x620x79	12
085389	ODIS-LED-M625-SQ-CGMP-12000-940, IP66/IP50	7568	70	108	45	620x620x79	12
<b>R940</b>							
085414	ODIS-LED-M625-R-CGMP-3300-940, IP66/IP50	1868	17	110	60	1245x310x79	12
085415	ODIS-LED-M625-R-CGMP-4800-940, IP66/IP50	2772	27	103	60	1245x310x79	12
085416	ODIS-LED-M625-R-CGMP-6300-940, IP66/IP50	3752	37	101	60	1245x310x79	12
085417	ODIS-LED-M625-R-CGMP-7200-940, IP66/IP50	4210	41	103	60	1245x310x79	12
085418	ODIS-LED-M625-R-CGMP-8700-940, IP66/IP50	5024	49	103	55	1245x310x79	12
085419	ODIS-LED-M625-R-CGMP-12000-940, IP66/IP50	7066	70	101	45	1245x310x79	12

CGMP - clear tempered safety glass + microprismatic plexiglass

**CGMP** - clear tempered safety glass + microprismatic plexiglass



Tolerance of luminous flux and power input of the lighting fixture +/- 10%

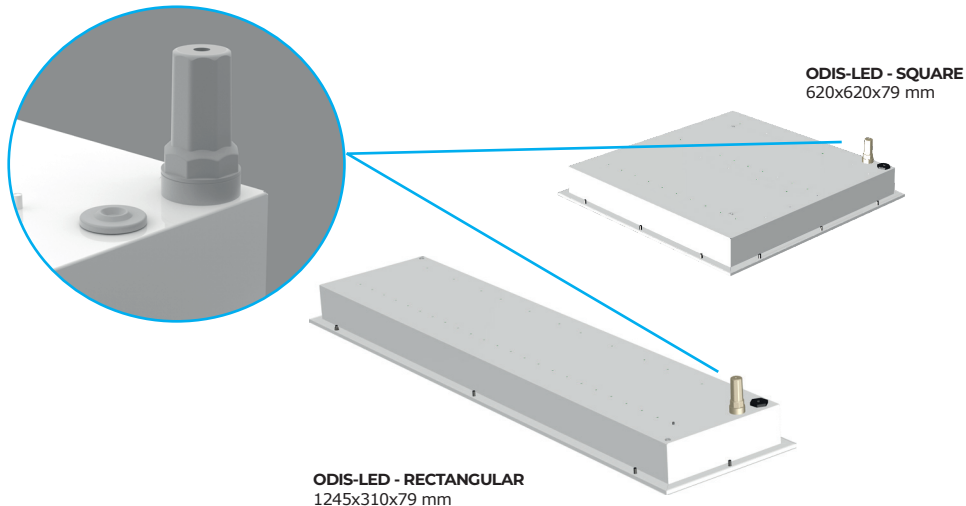
### Diffuser options

<p><b>GLM</b> – matt tempered safety glass</p>	<p><b>MP</b> – microprismatic plexiglass <b>CGMP</b> - clear tempered safety glass + microprismatic plexiglass</p>	<p><b>OP</b> – opal plexiglass <b>CGOP</b> - clear tempered safety glass + opal plexiglass</p>
------------------------------------------------	------------------------------------------------------------------------------------------------------------------------	----------------------------------------------------------------------------------------------------

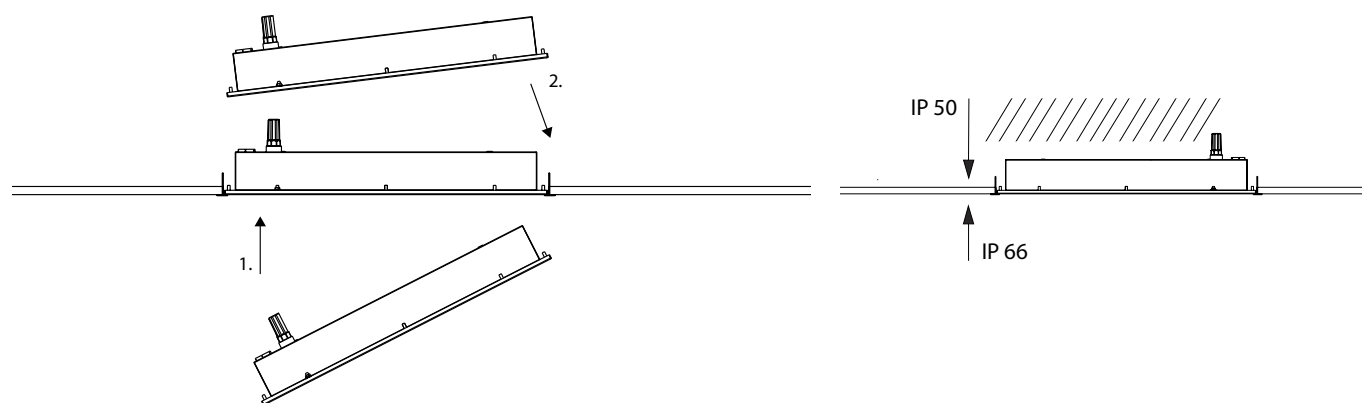
### Lighting fixture detail

Integrated **ADELS CONNECTOR** allows for fast installation without a need to open luminaire. The luminaire will be connected to screwless terminal block and installed into false ceiling.

**ROUNDED INNER EDGES OF THE FRAME** – rounded inner edges eliminates the sediments of dust and impurities. This eliminates bacteriums creation and more easier cleaning of luminaire surface as well.



## Easy and fast mounting



## Accessories on request

051232 - Set of safety suspension ODIS

## On request

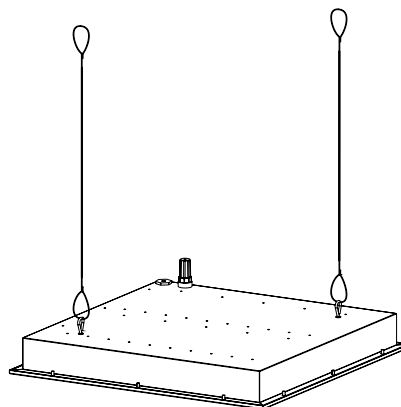
**MULTI** – maintained emergency lighting is always on (standard luminaire with emergency lighting module) (1h, 3h)

**DIM** – dimmable electronic ballast (DALI2)

**RAL** – other colour scale

**3000/4000/5000/6500 K** – colour temperatures

**CLICK** – modification for a click system



## Code of luminaire

# ODIS-LED-M625-SQ-GLM-3300-840,IP66/IP50

name of luminaire	light source	type of ceiling	shape of luminaire R/SQ	type of diffuser	luminous flux of LED source	CRI and Tc value	protection from below	protection from above
-------------------	--------------	-----------------	-------------------------	------------------	-----------------------------	------------------	-----------------------	-----------------------

You can find the **ODIS-LED** video here:

