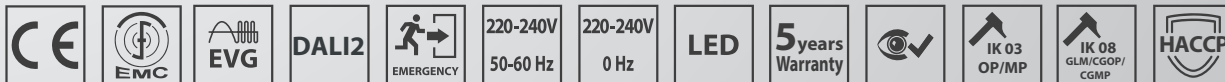


ODIS-LED-M623

IP66/IP50



Application: Recessed LED lighting fixture **designed for clean areas** in hospitals (operating theatres, Intensive Care Units, ambulances, surgery rooms, etc.), laboratories, microelectronics production, food industry. Housing made of white painted steel sheet (RAL9016), stainless steel AISI304 or AISI316 as option. Diffuser made of clear glass in combination with opal or microprismatic diffuser, opal or microprismatic plastic diffuser. **Clean screwless design for easy cleaning. Rounded edges of the frame eliminates the sediments and bacteriums creation.** Equipped with high quality electronic components **for high lifetime up to 100 000 h and efficiency up to 164 lm/W.** As standard also **available versions with CRI>90 and UGR<19.** Characterized by high lower degree of protection (IP66). Suitable for ambient temperatures from -20°C up to 60°C. Classified for **clean areas in compliance with ISO 14644-1.** **Connection by means of ADELS connector with no need to open luminaire – fast mounting and low costs for installation.** Large variability of luminaires according to installation types - false ceiling M600/625, metal ceiling M598/M623 or plasterboard / other atypical ceilings.

Ballast: EP – electronic 220-240 V/ 50-60 Hz AC, 220-240 V DC 0Hz

Light source: LED, 4000 K, CRI 80/90+, MacAdam3

Housing: White painted steel sheet RAL 9016

Diffuser: GLM – matt tempered safety glass

OP – opal plexiglass

MP – microprismatic plexiglass

CGOP - clear tempered safety glass + opal plexiglass

CGMP - clear tempered safety glass + microprismatic plexiglass

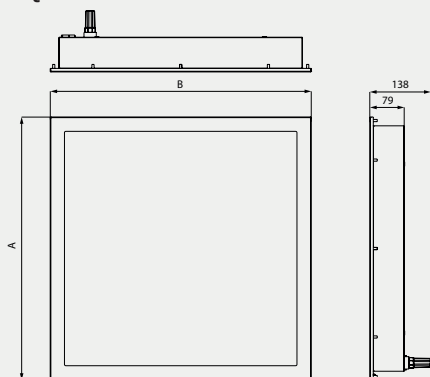
Fastening: Installation using ceiling mounts in metal suspended ceilings M598 / M623 (included). Minimum height of mounting space is 200 mm.

Connection: Connection by means of ADELS connector, maximum cross section of wires 2,5 mm²

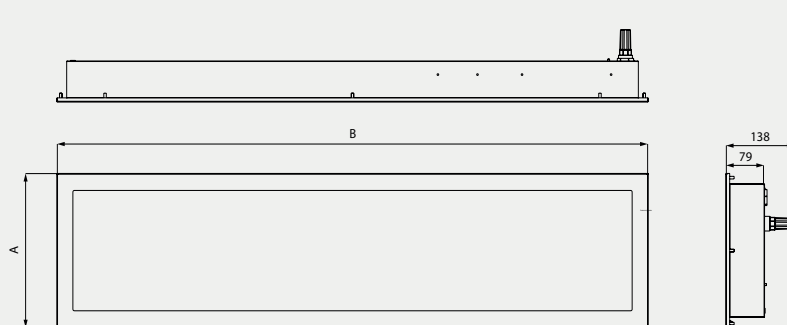
Standard equipment: ADELS connector – fast connection with no need to open the luminaire and nivelation set for metal suspended ceilings (4 pcs fastening holders)

Calculated lifetime – LED modules: L80B10 Ta30 – 70 000 h, L70B10 Ta30 – 100 000 h

SQ - SQUARE



R - RECTANGULAR



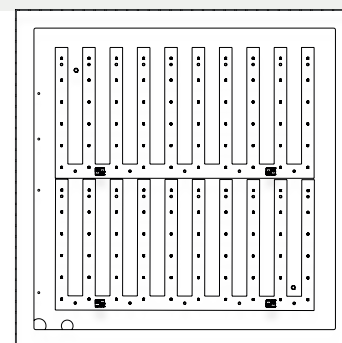
ADVANTAGES

- European product – Made in Czech Republic
- Elimination of sediments and easy cleaning because of clean screwless design
- Extreme fast installation because of used connector, no need to open luminaire
- Certified for clean areas in compliance with ISO 14644-1 class 4-9
- Wide variability of diffusers for different applications
- High energy efficiency up to 164 lm/W
- Homogenous lighting distribution

ODIS-LED

Full-screen LED modules inside.

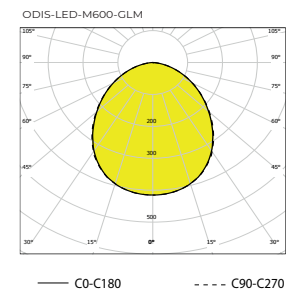
This premium luminaire variant is characterised by homogeneous light dispersion.



Order number	Name	Lighting fixture luminous flux (lm)	Power input (W)	Rated power output (lm/W)	Ta max (°C)	Dimensions of lighting fixture A x B x C (mm)	Weight (kg)
SQ840							
085180	ODIS-LED-M623-SQ-GLM-3300-840, IP66/IP50	2750	17	162	60	623x623x79	12
085181	ODIS-LED-M623-SQ-GLM-4800-840, IP66/IP50	4069	27	151	60	623x623x79	12
085182	ODIS-LED-M623-SQ-GLM-6300-840, IP66/IP50	5357	37	145	60	623x623x79	12
085183	ODIS-LED-M623-SQ-GLM-7200-840, IP66/IP50	6205	41	151	60	623x623x79	12
085184	ODIS-LED-M623-SQ-GLM-8700-840, IP66/IP50	7443	49	152	60	623x623x79	12
085185	ODIS-LED-M623-SQ-GLM-12000-840, IP66/IP50	10224	70	146	45	623x623x79	12
R840							
085210	ODIS-LED-M623-R-GLM-3300-840, IP66/IP50	2553	17	150	60	1247x312x79	12
085211	ODIS-LED-M623-R-GLM-4800-840, IP66/IP50	3792	27	140	60	1247x312x79	12
085212	ODIS-LED-M623-R-GLM-6300-840, IP66/IP50	4992	37	135	60	1247x312x79	12
085213	ODIS-LED-M623-R-GLM-7200-840, IP66/IP50	5754	41	140	60	1247x312x79	12
085214	ODIS-LED-M623-R-GLM-8700-840, IP66/IP50	6869	49	140	55	1247x312x79	12
085215	ODIS-LED-M623-R-GLM-12000-840, IP66/IP50	9528	70	136	45	1247x312x79	12
SQ940							
085480	ODIS-LED-M623-SQ-GLM-3300-940, IP66/IP50	2337	17	137	60	623x623x79	12
085481	ODIS-LED-M623-SQ-GLM-4800-940, IP66/IP50	3459	27	128	60	623x623x79	12
085482	ODIS-LED-M623-SQ-GLM-6300-940, IP66/IP50	4554	37	123	60	623x623x79	12
085483	ODIS-LED-M623-SQ-GLM-7200-940, IP66/IP50	5275	41	129	60	623x623x79	12
085484	ODIS-LED-M623-SQ-GLM-8700-940, IP66/IP50	6326	49	129	60	623x623x79	12
085485	ODIS-LED-M623-SQ-GLM-12000-940, IP66/IP50	8690	70	124	45	623x623x79	12
R940							
085510	ODIS-LED-M623-R-GLM-3300-940, IP66/IP50	2172	17	128	60	1247x312x79	12
085511	ODIS-LED-M623-R-GLM-4800-940, IP66/IP50	3223	27	119	60	1247x312x79	12
085512	ODIS-LED-M623-R-GLM-6300-940, IP66/IP50	4246	37	115	60	1247x312x79	12
085513	ODIS-LED-M623-R-GLM-7200-940, IP66/IP50	4894	41	119	60	1247x312x79	12
085514	ODIS-LED-M623-R-GLM-8700-940, IP66/IP50	5840	49	119	55	1247x312x79	12
085515	ODIS-LED-M623-R-GLM-12000-940, IP66/IP50	8098	70	116	45	1247x312x79	12

Tolerance of luminous flux and power input of the lighting fixture +/- 10%

GLM – matt tempered safety glass

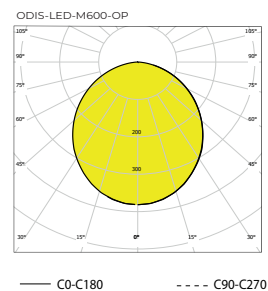


CLM - matt tempered safety glass

Order number	Name	Lighting fixture luminous flux (lm)	Power input (W)	Rated power output (lm/W)	Ta max (°C)	Dimensions of lighting fixture A x B x C (mm)	Weight (kg)
SQ840							
085186	ODIS-LED-M623-SQ-OP-3300-840, IP66/IP50	2653	17	156	60	623x623x79	8
085187	ODIS-LED-M623-SQ-OP-4800-840, IP66/IP50	3925	27	145	60	623x623x79	8
085188	ODIS-LED-M623-SQ-OP-6300-840, IP66/IP50	5168	37	140	60	623x623x79	8
085189	ODIS-LED-M623-SQ-OP-7200-840, IP66/IP50	5987	41	146	60	623x623x79	8
085190	ODIS-LED-M623-SQ-OP-8700-840, IP66/IP50	7180	49	147	60	623x623x79	8
085191	ODIS-LED-M623-SQ-OP-12000-840, IP66/IP50	9864	70	141	45	623x623x79	8
R840							
085216	ODIS-LED-M623-R-OP-3300-840, IP66/IP50	2447	17	144	60	1247x312x79	8
085217	ODIS-LED-M623-R-OP-4800-840, IP66/IP50	3634	27	135	60	1247x312x79	8
085218	ODIS-LED-M623-R-OP-6300-840, IP66/IP50	4785	37	129	60	1247x312x79	8
085219	ODIS-LED-M623-R-OP-7200-840, IP66/IP50	5515	41	135	60	1247x312x79	8
085220	ODIS-LED-M623-R-OP-8700-840, IP66/IP50	6584	49	134	60	1247x312x79	8
085221	ODIS-LED-M623-R-OP-12000-840, IP66/IP50	9132	70	130	45	1247x312x79	8
SQ940							
085486	ODIS-LED-M623-SQ-OP-3300-940, IP66/IP50	2255	17	133	60	623x623x79	8
085487	ODIS-LED-M623-SQ-OP-4800-940, IP66/IP50	3337	27	124	60	623x623x79	8
085488	ODIS-LED-M623-SQ-OP-6300-940, IP66/IP50	4394	37	119	60	623x623x79	8
085489	ODIS-LED-M623-SQ-OP-7200-940, IP66/IP50	5089	41	124	60	623x623x79	8
085490	ODIS-LED-M623-SQ-OP-8700-940, IP66/IP50	6104	49	125	60	623x623x79	8
085491	ODIS-LED-M623-SQ-OP-12000-940, IP66/IP50	8384	70	120	45	623x623x79	8
R940							
085516	ODIS-LED-M623-R-OP-3300-940, IP66/IP50	2082	17	122	60	1247x312x79	8
085517	ODIS-LED-M623-R-OP-4800-940, IP66/IP50	3089	27	114	60	1247x312x79	8
085518	ODIS-LED-M623-R-OP-6300-940, IP66/IP50	4069	37	110	60	1247x312x79	8
085519	ODIS-LED-M623-R-OP-7200-940, IP66/IP50	4690	41	114	60	1247x312x79	8
085520	ODIS-LED-M623-R-OP-8700-940, IP66/IP50	5597	49	114	55	1247x312x79	8
085521	ODIS-LED-M623-R-OP-12000-940, IP66/IP50	7762	70	111	45	1247x312x79	8

Tolerance of luminous flux and power input of the lighting fixture +/- 10%

OP - opal plexiglass



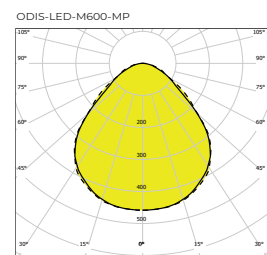
OP - opal plexiglass

MP - microprismatic plexiglass

Order number	Name	Lighting fixture luminous flux (lm)		Rated power output (lm/W)	Ta max (°C)	Dimensions of lighting fixture A x B x C (mm)	Weight (kg)
SQ840							
085192	ODIS-LED-M623-SQ-MP-3300-840, IP66/IP50	2788	17	164	60	623x623x79	8
085193	ODIS-LED-M623-SQ-MP-4800-840, IP66/IP50	4126	27	153	60	623x623x79	8
085194	ODIS-LED-M623-SQ-MP-6300-840, IP66/IP50	5432	37	147	60	623x623x79	8
085195	ODIS-LED-M623-SQ-MP-7200-840, IP66/IP50	6293	41	153	60	623x623x79	8
085196	ODIS-LED-M623-SQ-MP-8700-840, IP66/IP50	7547	49	154	60	623x623x79	8
085197	ODIS-LED-M623-SQ-MP-12000-840, IP66/IP50	10368	70	148	45	623x623x79	8
R840							
085222	ODIS-LED-M623-R-MP-3300-840, IP66/IP50	2582	17	152	60	1247x312x79	8
085223	ODIS-LED-M623-R-MP-4800-840, IP66/IP50	3835	27	142	60	1247x312x79	8
085224	ODIS-LED-M623-R-MP-6300-840, IP66/IP50	5049	37	136	60	1247x312x79	8
085225	ODIS-LED-M623-R-MP-7200-840, IP66/IP50	5820	41	142	60	1247x312x79	8
085226	ODIS-LED-M623-R-MP-8700-840, IP66/IP50	6947	49	142	55	1247x312x79	8
085227	ODIS-LED-M623-R-MP-12000-840, IP66/IP50	9636	70	138	45	1247x312x79	8
SQ940							
085492	ODIS-LED-M623-SQ-MP-3300-940, IP66/IP50	2370	17	139	60	623x623x79	8
085493	ODIS-LED-M623-SQ-MP-4800-940, IP66/IP50	3507	27	130	60	623x623x79	8
085494	ODIS-LED-M623-SQ-MP-6300-940, IP66/IP50	4618	37	125	60	623x623x79	8
085495	ODIS-LED-M623-SQ-MP-7200-940, IP66/IP50	5349	41	130	60	623x623x79	8
085496	ODIS-LED-M623-SQ-MP-8700-940, IP66/IP50	6416	49	131	60	623x623x79	8
085497	ODIS-LED-M623-SQ-MP-12000-940, IP66/IP50	8812	70	126	45	623x623x79	8
R940							
085522	ODIS-LED-M623-R-MP-3300-940, IP66/IP50	2197	17	129	60	1247x312x79	8
085523	ODIS-LED-M623-R-MP-4800-940, IP66/IP50	3260	27	121	60	1247x312x79	8
085524	ODIS-LED-M623-R-MP-6300-940, IP66/IP50	4294	37	116	60	1247x312x79	8
085525	ODIS-LED-M623-R-MP-7200-940, IP66/IP50	4949	41	121	60	1247x312x79	8
085526	ODIS-LED-M623-R-MP-8700-940, IP66/IP50	5906	49	121	55	1247x312x79	8
085527	ODIS-LED-M623-R-MP-12000-940, IP66/IP50	8190	70	117	45	1247x312x79	8

Tolerance of luminous flux and power input of the lighting fixture +/- 10%

MP – microprismatic plexiglass



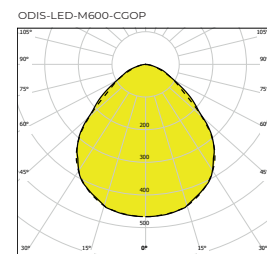
— C0-C180 - - - C90-C270

CGOP - clear tempered safety glass + opal plexiglass

Order number	Name	Lighting fixture luminous flux (lm)		Rated power output (lm/W)	Ta max (°C)	Dimensions of lighting fixture A x B x C (mm)	Weight (kg)
SQ840							
085198	ODIS-LED-M623-SQ-CGOP-3300-840, IP66/IP50	2592	17	152	60	623x623x79	12
085199	ODIS-LED-M623-SQ-CGOP-4800-840, IP66/IP50	3835	27	142	60	623x623x79	12
085200	ODIS-LED-M623-SQ-CGOP-6300-840, IP66/IP50	5049	37	136	60	623x623x79	12
085201	ODIS-LED-M623-SQ-CGOP-7200-840, IP66/IP50	5849	41	143	60	623x623x79	12
085202	ODIS-LED-M623-SQ-CGOP-8700-840, IP66/IP50	7015	49	143	60	623x623x79	12
085203	ODIS-LED-M623-SQ-CGOP-12000-840, IP66/IP50	9636	70	138	45	623x623x79	12
R840							
085228	ODIS-LED-M623-R-CGOP-3300-840, IP66/IP50	2389	17	141	60	1247x312x79	12
085229	ODIS-LED-M623-R-CGOP-4800-840, IP66/IP50	3548	27	131	60	1247x312x79	12
085230	ODIS-LED-M623-R-CGOP-6300-840, IP66/IP50	4671	37	126	60	1247x312x79	12
085231	ODIS-LED-M623-R-CGOP-7200-840, IP66/IP50	5385	41	131	60	1247x312x79	12
085232	ODIS-LED-M623-R-CGOP-8700-840, IP66/IP50	6428	49	131	60	1247x312x79	12
085233	ODIS-LED-M623-R-CGOP-12000-840, IP66/IP50	8916	70	127	45	1247x312x79	12
SQ940							
085498	ODIS-LED-M623-SQ-CGOP-3300-940, IP66/IP50	2203	17	130	60	623x623x79	12
085499	ODIS-LED-M623-SQ-CGOP-4800-940, IP66/IP50	3260	27	121	60	623x623x79	12
085500	ODIS-LED-M623-SQ-CGOP-6300-940, IP66/IP50	4292	37	116	60	623x623x79	12
085501	ODIS-LED-M623-SQ-CGOP-7200-940, IP66/IP50	4972	41	121	60	623x623x79	12
085502	ODIS-LED-M623-SQ-CGOP-8700-940, IP66/IP50	5963	49	122	60	623x623x79	12
085503	ODIS-LED-M623-SQ-CGOP-12000-940, IP66/IP50	8190	70	117	45	623x623x79	12
R940							
085528	ODIS-LED-M623-R-CGOP-3300-940, IP66/IP50	2032	17	120	60	1247x312x79	12
085529	ODIS-LED-M623-R-CGOP-4800-940, IP66/IP50	3016	27	112	60	1247x312x79	12
085530	ODIS-LED-M623-R-CGOP-6300-940, IP66/IP50	3973	37	107	60	1247x312x79	12
085531	ODIS-LED-M623-R-CGOP-7200-940, IP66/IP50	4579	41	112	60	1247x312x79	12
085532	ODIS-LED-M623-R-CGOP-8700-940, IP66/IP50	5465	49	112	55	1247x312x79	12
085533	ODIS-LED-M623-R-CGOP-12000-940, IP66/IP50	7578	70	108	45	1247x312x79	12

Tolerance of luminous flux and power input of the lighting fixture +/- 10%

CGOP - clear tempered safety glass + opal plexiglass

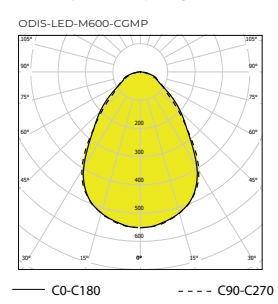


— C0-C180 - - - C90-C270

Order number	Name	Lighting fixture luminous flux (lm)	Power input (W)	Rated power output (lm/W)	Ta max (°C)	Dimensions of lighting fixture A x B x C (mm)	Weight (kg)
SQ840							
085204	ODIS-LED-M623-SQ-CGMP-3300-840, IP66/IP50	2395	17	141	60	623x623x79	12
085205	ODIS-LED-M623-SQ-CGMP-4800-840, IP66/IP50	3543	27	131	60	623x623x79	12
085206	ODIS-LED-M623-SQ-CGMP-6300-840, IP66/IP50	4665	37	126	60	623x623x79	12
085207	ODIS-LED-M623-SQ-CGMP-7200-840, IP66/IP50	5404	41	132	60	623x623x79	12
085208	ODIS-LED-M623-SQ-CGMP-8700-840, IP66/IP50	6482	49	132	60	623x623x79	12
085209	ODIS-LED-M623-SQ-CGMP-12000-840, IP66/IP50	8904	70	127	45	623x623x79	12
R840							
085234	ODIS-LED-M623-R-CGMP-3300-840, IP66/IP50	2196	17	129	60	1247x312x79	12
085235	ODIS-LED-M623-R-CGMP-4800-840, IP66/IP50	3262	27	121	60	1247x312x79	12
085236	ODIS-LED-M623-R-CGMP-6300-840, IP66/IP50	4294	37	116	60	1247x312x79	12
085237	ODIS-LED-M623-R-CGMP-7200-840, IP66/IP50	4950	41	121	60	1247x312x79	12
085238	ODIS-LED-M623-R-CGMP-8700-840, IP66/IP50	5909	49	121	55	1247x312x79	12
085239	ODIS-LED-M623-R-CGMP-12000-840, IP66/IP50	8196	70	117	45	1247x312x79	12
SQ940							
085504	ODIS-LED-M623-SQ-CGMP-3300-940, IP66/IP50	2036	17	120	60	623x623x79	12
085505	ODIS-LED-M623-SQ-CGMP-4800-940, IP66/IP50	3012	27	112	60	623x623x79	12
085506	ODIS-LED-M623-SQ-CGMP-6300-940, IP66/IP50	3966	37	107	60	623x623x79	12
085507	ODIS-LED-M623-SQ-CGMP-7200-940, IP66/IP50	4594	41	112	60	623x623x79	12
085508	ODIS-LED-M623-SQ-CGMP-8700-940, IP66/IP50	5510	49	112	60	623x623x79	12
085509	ODIS-LED-M623-SQ-CGMP-12000-940, IP66/IP50	7568	70	108	45	623x623x79	12
R940							
085534	ODIS-LED-M623-R-CGMP-3300-940, IP66/IP50	1868	17	110	60	1247x312x79	12
085535	ODIS-LED-M623-R-CGMP-4800-940, IP66/IP50	2772	27	103	60	1247x312x79	12
085536	ODIS-LED-M623-R-CGMP-6300-940, IP66/IP50	3752	37	101	60	1247x312x79	12
085537	ODIS-LED-M623-R-CGMP-7200-940, IP66/IP50	4210	41	103	60	1247x312x79	12
085538	ODIS-LED-M623-R-CGMP-8700-940, IP66/IP50	5024	49	103	55	1247x312x79	12
085539	ODIS-LED-M623-R-CGMP-12000-940, IP66/IP50	7066	70	101	45	1247x312x79	12

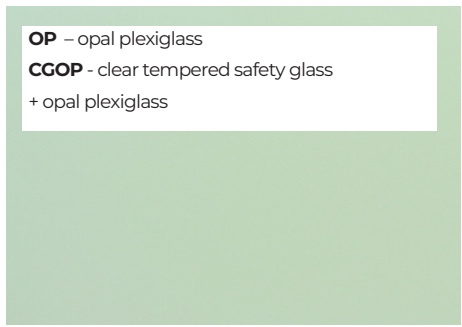
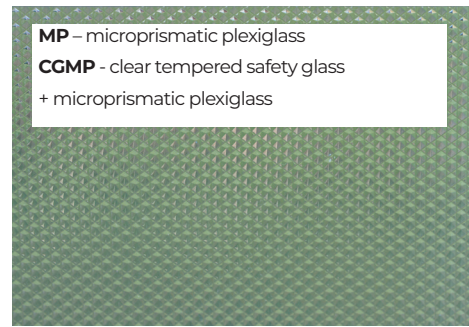
CGMP - clear tempered safety glass + microprismatic plexiglass

CGMP - clear tempered safety glass + microprismatic plexiglass



Tolerance of luminous flux and power input of the lighting fixture +/- 10%

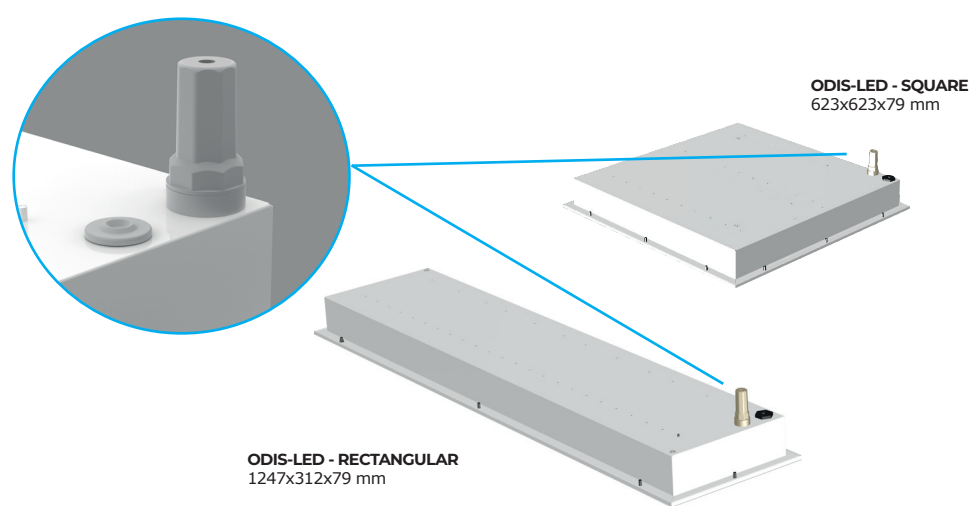
Diffuser options



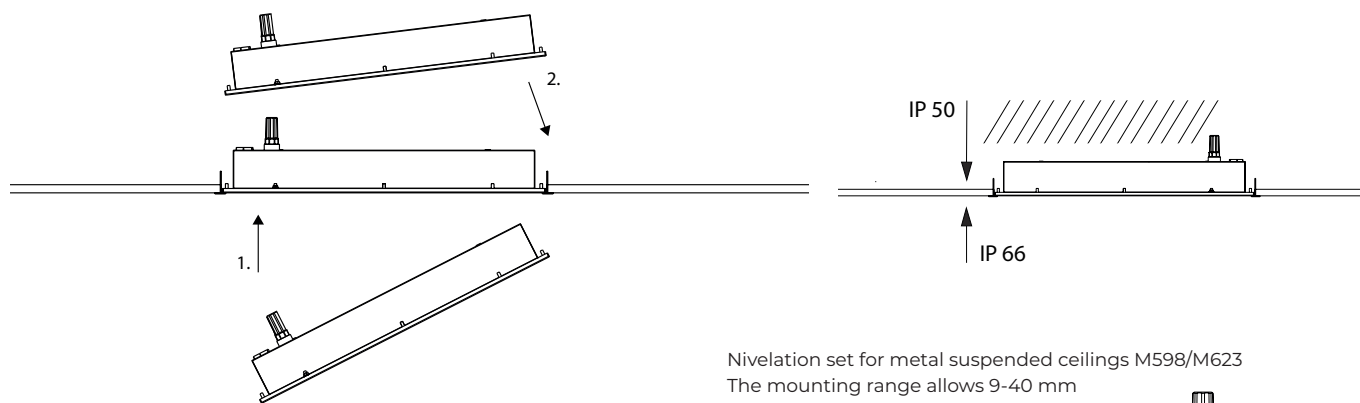
Lighting fixture detail

Integrated **ADELS CONNECTOR** allows for fast installation without a need to open luminaire. The luminaire will be connected to screwless terminal block and installed into false ceiling.

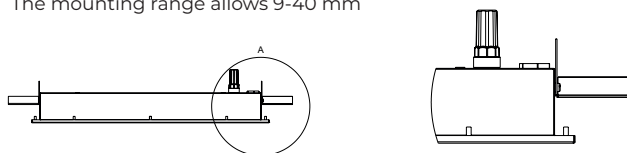
ROUNDED INNER EDGES OF THE FRAME – rounded inner edges eliminates the sediments of dust and impurities. This eliminates bacteriums creation and more easier cleaning of luminaire surface as well.



Easy and fast mounting



Nivelation set for metal suspended ceilings M598/M623
The mounting range allows 9-40 mm



Accessories on request

051232 - Set of safety suspension ODIS

On request

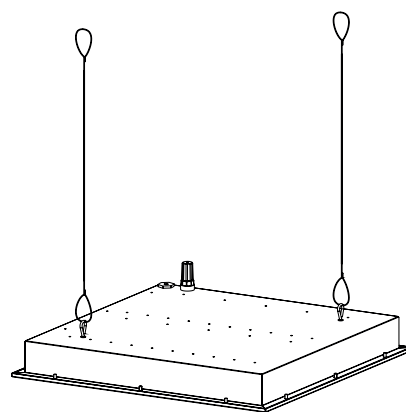
MULTI – maintained emergency lighting is always on (standard luminaire with emergency lighting module) (1h, 3h)

DIM – dimmable electronic ballast (DALI2)

RAL – other colour scale

3000/4000/5000/6500 K – colour temperatures

CLICK – modification for a click system



Code of luminaire

ODIS-LED-M623-SQ-GLM-3300-840,IP66/IP50

name of luminaire	light source	type of ceiling	shape of luminaire R/SQ	type of diffuser	luminous flux of LED source	CRI and Tc value	protection from below	protection from above
-------------------	--------------	-----------------	-------------------------	------------------	-----------------------------	------------------	-----------------------	-----------------------

You can find the **ODIS-LED** video here:

