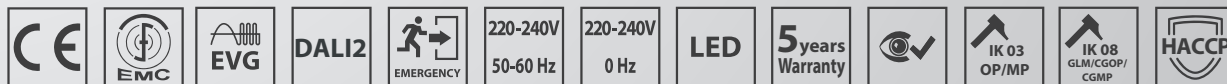


ODIS-LED-M600

IP66/IP50



Application: Recessed LED lighting fixture **designed for clean areas** in hospitals (operating theatres, Intensive Care Units, ambulances, surgery rooms, etc.), laboratories, microelectronics production, food industry. Housing made of white painted steel sheet (RAL9016), stainless steel AISI304 or AISI316 as option. Diffuser made of clear glass in combination with opal or microprismatic diffuser, opal or microprismatic plastic diffuser. **Clean screwless design for easy cleaning. Rounded edges of the frame eliminates the sediments and bacteriums creation.** Equipped with high quality electronic components **for high lifetime up to 100 000 h and efficiency up to 164 lm/W.** As standard also **available versions with CRI>90 and UGR<19.** Characterized by high lower degree of protection (IP66). Suitable for ambient temperatures from -20°C up to 60°C. Classified for **clean areas in compliance with ISO 14644-1.** **Connection by means of ADELS connector with no need to open luminaire – fast mounting and low costs for installation.** Large variability of luminaires according to installation types - false ceiling M600/625, metal ceiling M598/M623 or plasterboard / other atypical ceilings.

Ballast: EP – electronic 220-240 V/ 50-60 Hz AC, 220-240 V DC 0Hz

Light source: LED, 4000 K, CRI 80/90+, MacAdam3

Housing: White painted steel sheet RAL 9016

Diffuser: GLM – matt tempered safety glass

OP – opal plexiglass

MP – microprismatic plexiglass

CGOP - clear tempered safety glass + opal plexiglass

CGMP - clear tempered safety glass + microprismatic plexiglass

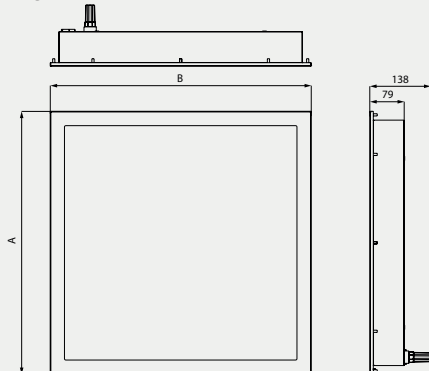
Fastening: Mounting into false ceilings of M600 modules. Minimum height of mounting space is 200 mm.

Connection: Connection by means of ADELS connector, maximum cross section of wires 2,5 mm².

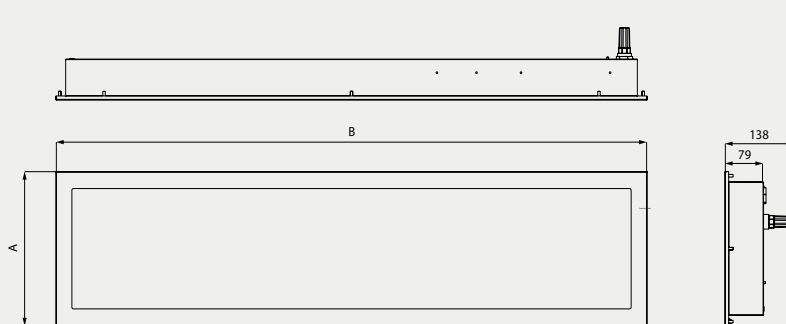
Standard equipment: ADELS connector – fast connection with no need to open the luminaire – connecting terminal block.

Calculated lifetime – LED modules: L80B10 Ta30 – 70 000 h, L70B10 Ta30 – 100 000 h

SQ - SQUARE



R - RECTANGULAR



ADVANTAGES

- European product – Made in Czech Republic
- Elimination of sediments and easy cleaning because of clean screwless design
- Extreme fast installation because of used connector, no need to open luminaire
- Certified for clean areas in compliance with ISO 14644-1 class 4-9
- Wide variability of diffusers for different applications
- High energy efficiency up to 164 lm/W
- Homogenous lighting distribution



Microelectronic
& Semiconductor
fabrication



Hospitals



Pharma
& Laboratories



Operating theater

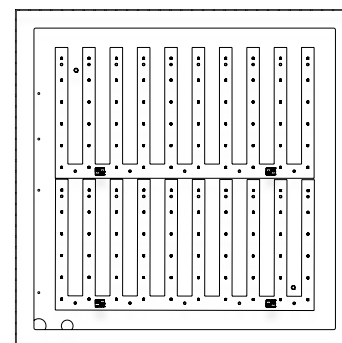


Food & beverages
production areas

ODIS-LED

Full-screen LED modules inside.

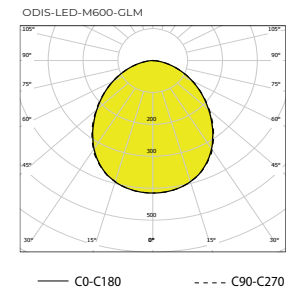
This premium luminaire variant is characterised by homogeneous light dispersion.



Order number	Name	Lighting fixture luminous flux (lm)	Power input (W)	Rated power output (lm/W)	Ta max (°C)	Dimensions of lighting fixture A x B x C (mm)	Weight (kg)
SQ840							
085000	ODIS-LED-M600-SQ-GLM-3300-840, IP66/IP50	2750	17	162	60	595x595x79	11,5
085001	ODIS-LED-M600-SQ-GLM-4800-840, IP66/IP50	4069	27	151	60	595x595x79	11,5
085002	ODIS-LED-M600-SQ-GLM-6300-840, IP66/IP50	5357	37	145	60	595x595x79	11,5
085003	ODIS-LED-M600-SQ-GLM-7200-840, IP66/IP50	6205	41	151	60	595x595x79	11,5
085004	ODIS-LED-M600-SQ-GLM-8700-840, IP66/IP50	7443	49	152	60	595x595x79	11,5
085005	ODIS-LED-M600-SQ-GLM-12000-840, IP66/IP50	10224	70	146	45	595x595x79	11,5
R840							
085030	ODIS-LED-M600-R-GLM-3300-840, IP66/IP50	2553	17	150	60	1195x295x79	11,5
085031	ODIS-LED-M600-R-GLM-4800-840, IP66/IP50	3792	27	140	60	1195x295x79	11,5
085032	ODIS-LED-M600-R-GLM-6300-840, IP66/IP50	4992	37	135	60	1195x295x79	11,5
085033	ODIS-LED-M600-R-GLM-7200-840, IP66/IP50	5754	41	140	60	1195x295x79	11,5
085034	ODIS-LED-M600-R-GLM-8700-840, IP66/IP50	6869	49	140	55	1195x295x79	11,5
085035	ODIS-LED-M600-R-GLM-12000-840, IP66/IP50	9528	70	136	45	1195x295x79	11,5
SQ940							
085300	ODIS-LED-M600-SQ-GLM-3300-940, IP66/IP50	2337	17	137	60	595x595x79	11,5
085301	ODIS-LED-M600-SQ-GLM-4800-940, IP66/IP50	3459	27	128	60	595x595x79	11,5
085302	ODIS-LED-M600-SQ-GLM-6300-940, IP66/IP50	4554	37	123	60	595x595x79	11,5
085303	ODIS-LED-M600-SQ-GLM-7200-940, IP66/IP50	5275	41	129	60	595x595x79	11,5
085304	ODIS-LED-M600-SQ-GLM-8700-940, IP66/IP50	6326	49	129	60	595x595x79	11,5
085305	ODIS-LED-M600-SQ-GLM-12000-940, IP66/IP50	8690	70	124	45	595x595x79	11,5
R940							
085330	ODIS-LED-M600-R-GLM-3300-940, IP66/IP50	2172	17	128	60	1195x295x79	11,5
085331	ODIS-LED-M600-R-GLM-4800-940, IP66/IP50	3223	27	119	60	1195x295x79	11,5
085332	ODIS-LED-M600-R-GLM-6300-940, IP66/IP50	4246	37	115	60	1195x295x79	11,5
085333	ODIS-LED-M600-R-GLM-7200-940, IP66/IP50	4894	41	119	60	1195x295x79	11,5
085334	ODIS-LED-M600-R-GLM-8700-940, IP66/IP50	5840	49	119	55	1195x295x79	11,5
085335	ODIS-LED-M600-R-GLM-12000-940, IP66/IP50	8098	70	116	45	1195x295x79	11,5

Tolerance of luminous flux and power input of the lighting fixture +/- 10%

GLM – matt tempered safety glass

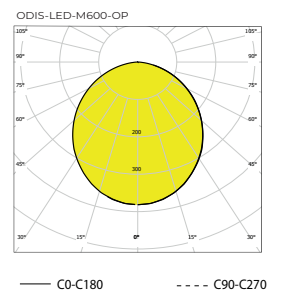


CLM - matt tempered safety glass

Order number	Name	Lighting fixture luminous flux (lm)	Power input (W)	Rated power output (lm/W)	Ta max (°C)	Dimensions of lighting fixture A x B x C (mm)	Weight (kg)
SQ840							
085006	ODIS-LED-M600-SQ-OP-3300-840, IP66/IP50	2653	17	156	60	595x595x79	7,5
085007	ODIS-LED-M600-SQ-OP-4800-840, IP66/IP50	3925	27	145	60	595x595x79	7,5
085008	ODIS-LED-M600-SQ-OP-6300-840, IP66/IP50	5168	37	140	60	595x595x79	7,5
085009	ODIS-LED-M600-SQ-OP-7200-840, IP66/IP50	5987	41	146	60	595x595x79	7,5
085010	ODIS-LED-M600-SQ-OP-8700-840, IP66/IP50	7180	49	147	60	595x595x79	7,5
085011	ODIS-LED-M600-SQ-OP-12000-840, IP66/IP50	9864	70	141	45	595x595x79	7,5
R840							
085036	ODIS-LED-M600-R-OP-3300-840, IP66/IP50	2447	17	144	60	1195x295x79	7,5
085037	ODIS-LED-M600-R-OP-4800-840, IP66/IP50	3634	27	135	60	1195x295x79	7,5
085038	ODIS-LED-M600-R-OP-6300-840, IP66/IP50	4785	37	129	60	1195x295x79	7,5
085039	ODIS-LED-M600-R-OP-7200-840, IP66/IP50	5515	41	135	60	1195x295x79	7,5
085040	ODIS-LED-M600-R-OP-8700-840, IP66/IP50	6584	49	134	60	1195x295x79	7,5
085041	ODIS-LED-M600-R-OP-12000-840, IP66/IP50	9132	70	130	45	1195x295x79	7,5
SQ940							
085306	ODIS-LED-M600-SQ-OP-3300-940, IP66/IP50	2255	17	133	60	595x595x79	7,5
085307	ODIS-LED-M600-SQ-OP-4800-940, IP66/IP50	3337	27	124	60	595x595x79	7,5
085308	ODIS-LED-M600-SQ-OP-6300-940, IP66/IP50	4394	37	119	60	595x595x79	7,5
085309	ODIS-LED-M600-SQ-OP-7200-940, IP66/IP50	5089	41	124	60	595x595x79	7,5
085310	ODIS-LED-M600-SQ-OP-8700-940, IP66/IP50	6104	49	125	60	595x595x79	7,5
085311	ODIS-LED-M600-SQ-OP-12000-940, IP66/IP50	8384	70	120	45	595x595x79	7,5
R940							
085336	ODIS-LED-M600-R-OP-3300-940, IP66/IP50	2082	17	122	60	1195x295x79	7,5
085337	ODIS-LED-M600-R-OP-4800-940, IP66/IP50	3089	27	114	60	1195x295x79	7,5
085338	ODIS-LED-M600-R-OP-6300-940, IP66/IP50	4069	37	110	60	1195x295x79	7,5
085339	ODIS-LED-M600-R-OP-7200-940, IP66/IP50	4690	41	114	60	1195x295x79	7,5
085340	ODIS-LED-M600-R-OP-8700-940, IP66/IP50	5597	49	114	55	1195x295x79	7,5
085341	ODIS-LED-M600-R-OP-12000-940, IP66/IP50	7762	70	111	45	1195x295x79	7,5

Tolerance of luminous flux and power input of the lighting fixture +/- 10%

OP - opal plexiglass



OP - opal plexiglass

MP - microprismatic plexiglass

Order number	Name	Lighting fixture luminous flux (lm)	Power input (W)	Rated power output (lm/W)	Ta max (°C)	Dimensions of lighting fixture A x B x C (mm)	Weight (kg)
SQ840							
085012	ODIS-LED-M600-SQ-MP-3300-840, IP66/IP50	2788	17	164	60	595x595x79	7,5
085013	ODIS-LED-M600-SQ-MP-4800-840, IP66/IP50	4126	27	153	60	595x595x79	7,5
085014	ODIS-LED-M600-SQ-MP-6300-840, IP66/IP50	5432	37	147	60	595x595x79	7,5
085015	ODIS-LED-M600-SQ-MP-7200-840, IP66/IP50	6293	41	153	60	595x595x79	7,5
085016	ODIS-LED-M600-SQ-MP-8700-840, IP66/IP50	7547	49	154	60	595x595x79	7,5
085017	ODIS-LED-M600-SQ-MP-12000-840, IP66/IP50	10368	70	148	45	595x595x79	7,5
R840							
085042	ODIS-LED-M600-R-MP-3300-840, IP66/IP50	2582	17	152	60	1195x295x79	7,5
085043	ODIS-LED-M600-R-MP-4800-840, IP66/IP50	3835	27	142	60	1195x295x79	7,5
085044	ODIS-LED-M600-R-MP-6300-840, IP66/IP50	5049	37	136	60	1195x295x79	7,5
085045	ODIS-LED-M600-R-MP-7200-840, IP66/IP50	5820	41	142	60	1195x295x79	7,5
085046	ODIS-LED-M600-R-MP-8700-840, IP66/IP50	6947	49	142	55	1195x295x79	7,5
085047	ODIS-LED-M600-R-MP-12000-840, IP66/IP50	9636	70	138	45	1195x295x79	7,5
SQ940							
085312	ODIS-LED-M600-SQ-MP-3300-940, IP66/IP50	2370	17	139	60	595x595x79	7,5
085313	ODIS-LED-M600-SQ-MP-4800-940, IP66/IP50	3507	27	130	60	595x595x79	7,5
085314	ODIS-LED-M600-SQ-MP-6300-940, IP66/IP50	4618	37	125	60	595x595x79	7,5
085315	ODIS-LED-M600-SQ-MP-7200-940, IP66/IP50	5349	41	130	60	595x595x79	7,5
085316	ODIS-LED-M600-SQ-MP-8700-940, IP66/IP50	6416	49	131	60	595x595x79	7,5
085317	ODIS-LED-M600-SQ-MP-12000-940, IP66/IP50	8812	70	126	45	595x595x79	7,5
R940							
085342	ODIS-LED-M600-R-MP-3300-940, IP66/IP50	2197	17	129	60	1195x295x79	7,5
085343	ODIS-LED-M600-R-MP-4800-940, IP66/IP50	3260	27	121	60	1195x295x79	7,5
085344	ODIS-LED-M600-R-MP-6300-940, IP66/IP50	4294	37	116	60	1195x295x79	7,5
085345	ODIS-LED-M600-R-MP-7200-940, IP66/IP50	4949	41	121	60	1195x295x79	7,5
085346	ODIS-LED-M600-R-MP-8700-940, IP66/IP50	5906	49	121	55	1195x295x79	7,5
085347	ODIS-LED-M600-R-MP-12000-940, IP66/IP50	8190	70	117	45	1195x295x79	7,5

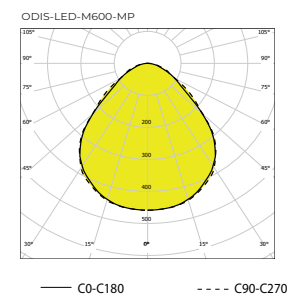
Tolerance of luminous flux and power input of the lighting fixture +/- 10%

CGOP - clear tempered safety glass + opal plexiglass

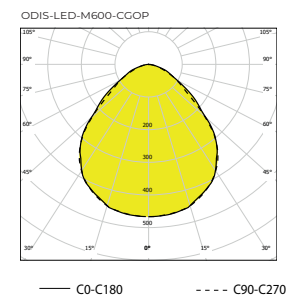
Order number	Name	Lighting fixture luminous flux (lm)	Power input (W)	Rated power output (lm/W)	Ta max (°C)	Dimensions of lighting fixture A x B x C (mm)	Weight (kg)
SQ840							
085018	ODIS-LED-M600-SQ-CGOP-3300-840, IP66/IP50	2592	17	152	60	595x595x79	11,5
085019	ODIS-LED-M600-SQ-CGOP-4800-840, IP66/IP50	3835	27	142	60	595x595x79	11,5
085020	ODIS-LED-M600-SQ-CGOP-6300-840, IP66/IP50	5049	37	136	60	595x595x79	11,5
085021	ODIS-LED-M600-SQ-CGOP-7200-840, IP66/IP50	5849	41	143	60	595x595x79	11,5
085022	ODIS-LED-M600-SQ-CGOP-8700-840, IP66/IP50	7015	49	143	60	595x595x79	11,5
085023	ODIS-LED-M600-SQ-CGOP-12000-840, IP66/IP50	9636	70	138	45	595x595x79	11,5
R840							
085048	ODIS-LED-M600-R-CGOP-3300-840, IP66/IP50	2389	17	141	60	1195x295x79	11,5
085049	ODIS-LED-M600-R-CGOP-4800-840, IP66/IP50	3548	27	131	60	1195x295x79	11,5
085050	ODIS-LED-M600-R-CGOP-6300-840, IP66/IP50	4671	37	126	60	1195x295x79	11,5
085051	ODIS-LED-M600-R-CGOP-7200-840, IP66/IP50	5385	41	131	60	1195x295x79	11,5
085052	ODIS-LED-M600-R-CGOP-8700-840, IP66/IP50	6428	49	131	60	1195x295x79	11,5
085053	ODIS-LED-M600-R-CGOP-12000-840, IP66/IP50	8916	70	127	45	1195x295x79	11,5
SQ940							
085318	ODIS-LED-M600-SQ-CGOP-3300-940, IP66/IP50	2203	17	130	60	595x595x79	11,5
085319	ODIS-LED-M600-SQ-CGOP-4800-940, IP66/IP50	3260	27	121	60	595x595x79	11,5
085320	ODIS-LED-M600-SQ-CGOP-6300-940, IP66/IP50	4292	37	116	60	595x595x79	11,5
085321	ODIS-LED-M600-SQ-CGOP-7200-940, IP66/IP50	4972	41	121	60	595x595x79	11,5
085322	ODIS-LED-M600-SQ-CGOP-8700-940, IP66/IP50	5963	49	122	60	595x595x79	11,5
085323	ODIS-LED-M600-SQ-CGOP-12000-940, IP66/IP50	8190	70	117	45	595x595x79	11,5
R940							
085348	ODIS-LED-M600-R-CGOP-3300-940, IP66/IP50	2032	17	120	60	1195x295x79	11,5
085349	ODIS-LED-M600-R-CGOP-4800-940, IP66/IP50	3016	27	112	60	1195x295x79	11,5
085350	ODIS-LED-M600-R-CGOP-6300-940, IP66/IP50	3973	37	107	60	1195x295x79	11,5
085351	ODIS-LED-M600-R-CGOP-7200-940, IP66/IP50	4579	41	112	60	1195x295x79	11,5
085352	ODIS-LED-M600-R-CGOP-8700-940, IP66/IP50	5465	49	112	55	1195x295x79	11,5
085353	ODIS-LED-M600-R-CGOP-12000-940, IP66/IP50	7578	70	108	45	1195x295x79	11,5

Tolerance of luminous flux and power input of the lighting fixture +/- 10%

MP - microprismatic plexiglass



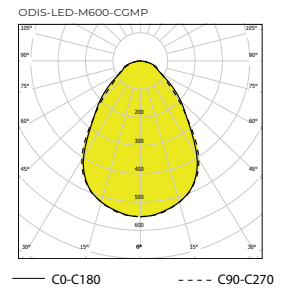
CGOP - clear tempered safety glass + opal plexiglass



Order number	Name	Lighting fixture luminous flux (lm)	Power input (W)	Rated power output (lm/W)	Ta max (°C)	Dimensions of lighting fixture A x B x C (mm)	Weight (kg)
SQ840							
085024	ODIS-LED-M600-SQ-CGMP-3300-840, IP66/IP50	2395	17	141	60	595x595x79	11,5
085025	ODIS-LED-M600-SQ-CGMP-4800-840, IP66/IP50	3543	27	131	60	595x595x79	11,5
085026	ODIS-LED-M600-SQ-CGMP-6300-840, IP66/IP50	4665	37	126	60	595x595x79	11,5
085027	ODIS-LED-M600-SQ-CGMP-7200-840, IP66/IP50	5404	41	132	60	595x595x79	11,5
085028	ODIS-LED-M600-SQ-CGMP-8700-840, IP66/IP50	6482	49	132	60	595x595x79	11,5
085029	ODIS-LED-M600-SQ-CGMP-12000-840, IP66/IP50	8904	70	127	45	595x595x79	11,5
R840							
085054	ODIS-LED-M600-R-CGMP-3300-840, IP66/IP50	2196	17	129	60	1195x295x79	11,5
085055	ODIS-LED-M600-R-CGMP-4800-840, IP66/IP50	3262	27	121	60	1195x295x79	11,5
085056	ODIS-LED-M600-R-CGMP-6300-840, IP66/IP50	4294	37	116	60	1195x295x79	11,5
085057	ODIS-LED-M600-R-CGMP-7200-840, IP66/IP50	4950	41	121	60	1195x295x79	11,5
085058	ODIS-LED-M600-R-CGMP-8700-840, IP66/IP50	5909	49	121	55	1195x295x79	11,5
085059	ODIS-LED-M600-R-CGMP-12000-840, IP66/IP50	8196	70	117	45	1195x295x79	11,5
SQ940							
085324	ODIS-LED-M600-SQ-CGMP-3300-940, IP66/IP50	2036	17	120	60	595x595x79	11,5
085325	ODIS-LED-M600-SQ-CGMP-4800-940, IP66/IP50	3012	27	112	60	595x595x79	11,5
085326	ODIS-LED-M600-SQ-CGMP-6300-940, IP66/IP50	3966	37	107	60	595x595x79	11,5
085327	ODIS-LED-M600-SQ-CGMP-7200-940, IP66/IP50	4594	41	112	60	595x595x79	11,5
085328	ODIS-LED-M600-SQ-CGMP-8700-940, IP66/IP50	5510	49	112	60	595x595x79	11,5
085329	ODIS-LED-M600-SQ-CGMP-12000-940, IP66/IP50	7568	70	108	45	595x595x79	11,5
R940							
085354	ODIS-LED-M600-R-CGMP-3300-940, IP66/IP50	1868	17	110	60	1195x295x79	11,5
085355	ODIS-LED-M600-R-CGMP-4800-940, IP66/IP50	2772	27	103	60	1195x295x79	11,5
085356	ODIS-LED-M600-R-CGMP-6300-940, IP66/IP50	3752	37	101	60	1195x295x79	11,5
085357	ODIS-LED-M600-R-CGMP-7200-940, IP66/IP50	4210	41	103	60	1195x295x79	11,5
085358	ODIS-LED-M600-R-CGMP-8700-940, IP66/IP50	5024	49	103	55	1195x295x79	11,5
085359	ODIS-LED-M600-R-CGMP-12000-940, IP66/IP50	7066	70	101	45	1195x295x79	11,5

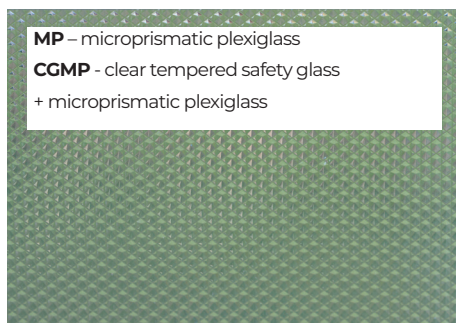
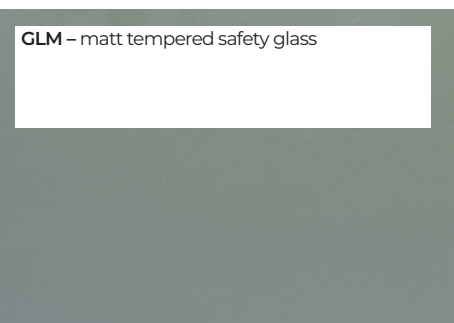
Tolerance of luminous flux and power input of the lighting fixture +/- 10%

CGMP - clear tempered safety glass + microprismatic plexiglass



CGMP - clear tempered safety glass + microprismatic plexiglass

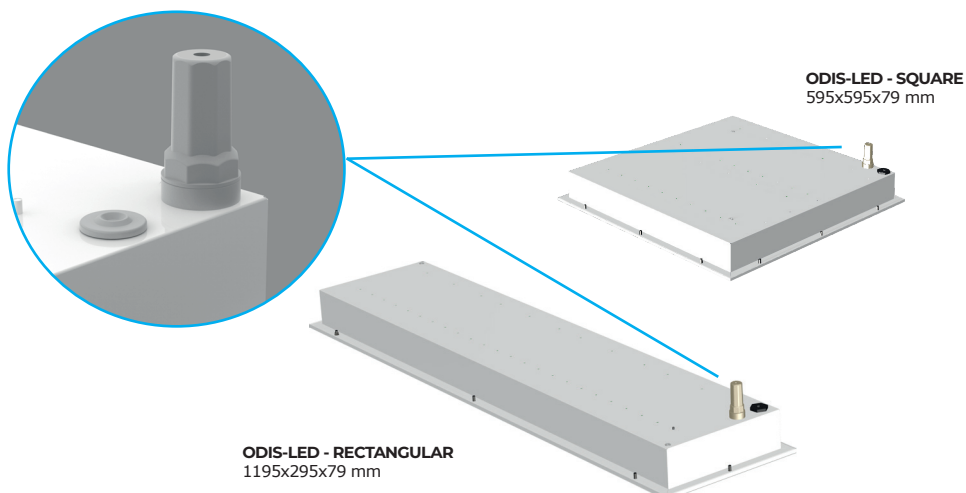
Diffuser options



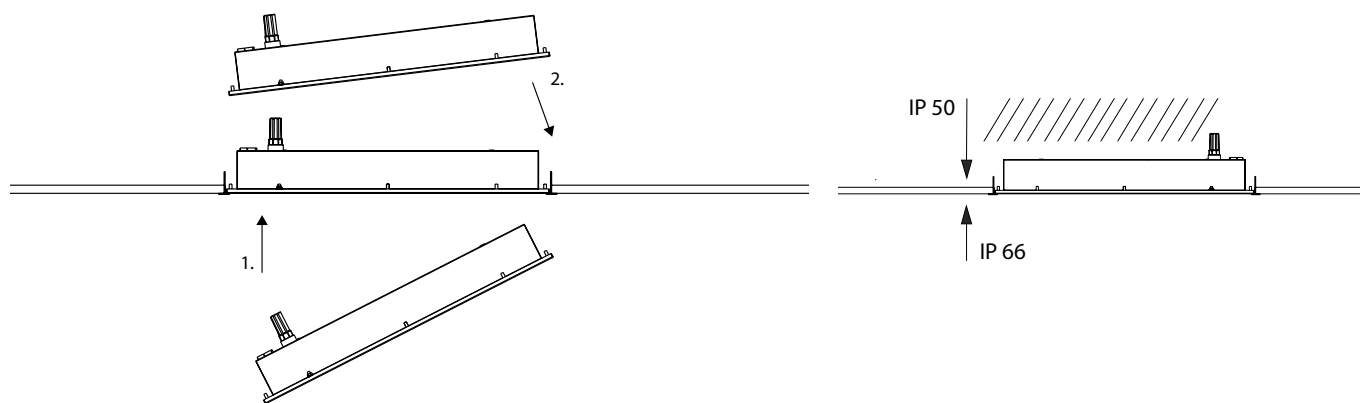
Lighting fixture detail

Integrated **ADELS CONNECTOR** allows for fast installation without a need to open luminaire. The luminaire will be connected to screwless terminal block and installed into false ceiling.

ROUNDED INNER EDGES OF THE FRAME – rounded inner edges eliminates the sediments of dust and impurities. This eliminates bacteriums creation and more easier cleaning of luminaire surface as well.

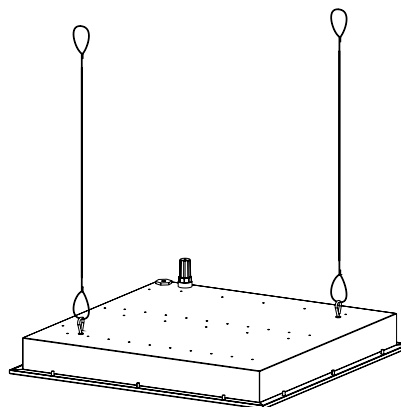


Easy and fast mounting



Accessories on request

051232 - Set of safety suspension ODIS



On request

MULTI – maintained emergency lighting is always on (standard luminaire with emergency lighting module) (1h, 3h)

DIM – dimmable electronic ballast (DALI2)

RAL – other colour scale

3000/4000/5000/6500 K – colour temperatures

CLICK – modification for a click system

Code of luminaire

ODIS-LED-M600-SQ-GLM-3300-840,IP66/IP50

name of luminaire	light source	type of ceiling	shape of luminaire R/SQ	type of diffuser	luminous flux of LED source	CRI and Tc value	protection from below	protection from above
-------------------	--------------	-----------------	-------------------------	------------------	-----------------------------	------------------	-----------------------	-----------------------

You can find the **ODIS-LED** video here:

