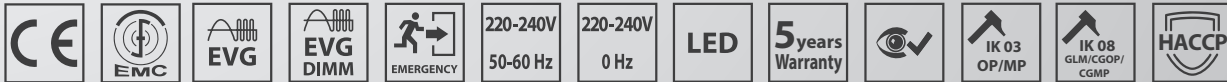


ODIS-LED-L-PB

IP66/IP50



Application: Recessed LED lighting fixture **designed for clean areas** in hospitals (operating theatres, Intensive Care Units, ambulances, surgery rooms, etc.), laboratories, microelectronics production, food industry. Housing made of white painted steel sheet (RAL9016), stainless steel AISI304 or AISI316 as option. Diffuser made of clear glass in combination with opal or microprismatic diffuser, opal or microprismatic plastic diffuser. **Clean screwless design for easy cleaning. Rounded edges of the frame eliminates the sediments and bacteriums creation.** Equipped with high quality electronic components **for high lifetime up to 100 000 h and efficiency up to 167 lm/W.** As standard also available versions with **CRI>90 and UGR<19.** Characterized by high lower degree of protection (IP66). Suitable for ambient temperatures from -20°C up to 60°C. Classified for **clean areas in compliance with ISO 14644-1.** **Connection by means of ADELS connector with no need to open luminaire – fast mounting and low costs for installation.** Large variability of luminaires according to installation types - false ceiling M600/625, metal ceiling M598/M623 or plasterboard / other atypical ceilings.

Ballast: EP – electronic 220-240 V/ 50-60 Hz AC, 220-240 V DC 0Hz

Light source: LED, 4000 K, CRI 80/90+, MacAdam3

Housing: White painted steel sheet RAL 9016

Diffuser: GLM – matt tempered safety glass

OP – opal plexiglass

MP – microprismatic plexiglass

CGOP - clear tempered safety glass + opal plexiglass

CGMP - clear tempered safety glass + microprismatic plexiglass

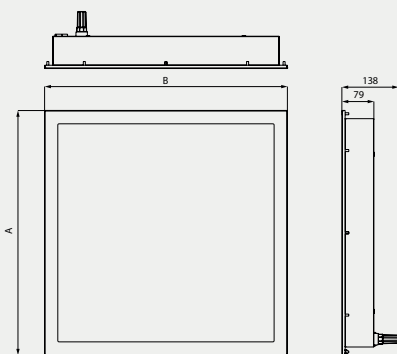
Fastening: Installation using nivulation set for plasterboard (included). Minimum height of mounting space is 200 mm

Connection: Connection by means of ADELS connector, maximum cross section of wires 2,5 mm²

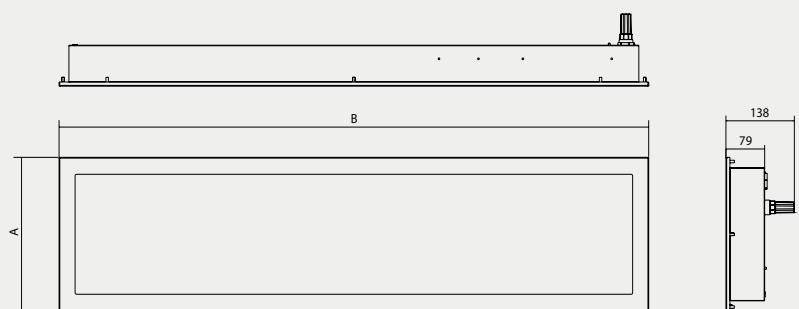
Standard equipment: ADELS connector – fast connection with no need to open the luminaire and nivulation set for plasterboard (4 pcs fastening holders)

Calculated lifetime – LED modules: L80B10 Ta30 – 70 000 h, L70B10 Ta30 – 100 000 h

SQ - SQUARE



R - RECTANGULAR



ADVANTAGES:

- European product – Made in Czech Republic
- Elimination of sediments and easy cleaning because of clean screwless design
- Extreme fast installation because of used connector, no need to open luminaire
- Certified for clean areas in compliance with ISO 14644-1 class 4-9
- Wide variability of diffusers for different applications
- High energy efficiency up to 167 lm/W
- Homogenous lighting distribution

TYPICAL APPLICATION:



Microelectronic
& Semiconductor
fabrication



Hospitals



Pharma
& Laboratories



Operating theater

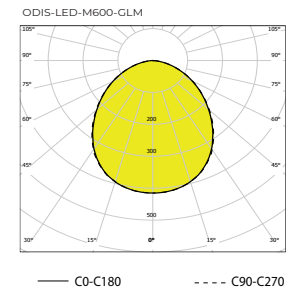


Food & beverages
production areas

Order number	Name	Lighting fixture luminous flux (lm)	Power input (W)	Rated power output (lm/W)	Ta max (°C)	Dimensions of lighting fixture A x B x C (mm)	Weight (kg)
SQ840							
085840	ODIS-LED-L-PB-SQ-GLM-3300-840, IP66/IP50	2838	17	167	60	650x650x79	13
085841	ODIS-LED-L-PB-SQ-GLM-4800-840, IP66/IP50	4227	27	157	60	650x650x79	13
085842	ODIS-LED-L-PB-SQ-GLM-6300-840, IP66/IP50	5322	37	144	60	650x650x79	13
085843	ODIS-LED-L-PB-SQ-GLM-7200-840, IP66/IP50	6127	41	149	60	650x650x79	13
085844	ODIS-LED-L-PB-SQ-GLM-8700-840, IP66/IP50	7451	49	152	60	650x650x79	13
085845	ODIS-LED-L-PB-SQ-GLM-12000-840, IP66/IP50	9833	70	140	45	650x650x79	13
R840							
085870	ODIS-LED-L-PB-R-GLM-3300-840, IP66/IP50	2609	17	153	60	1275x340x79	13
085871	ODIS-LED-L-PB-R-GLM-4800-840, IP66/IP50	3885	27	144	60	1275x340x79	13
085872	ODIS-LED-L-PB-R-GLM-6300-840, IP66/IP50	4892	37	132	60	1275x340x79	13
085873	ODIS-LED-L-PB-R-GLM-7200-840, IP66/IP50	5632	41	137	60	1275x340x79	13
085874	ODIS-LED-L-PB-R-GLM-8700-840, IP66/IP50	6849	49	140	55	1275x340x79	13
085875	ODIS-LED-L-PB-R-GLM-12000-840, IP66/IP50	9037	70	129	45	1275x340x79	13
SQ940							
086140	ODIS-LED-L-PB-SQ-GLM-3300-940, IP66/IP50	2470	17	145	60	650x650x79	13
086141	ODIS-LED-L-PB-SQ-GLM-4800-940, IP66/IP50	3678	27	136	60	650x650x79	13
086142	ODIS-LED-L-PB-SQ-GLM-6300-940, IP66/IP50	4633	37	125	60	650x650x79	13
086143	ODIS-LED-L-PB-SQ-GLM-7200-940, IP66/IP50	5332	41	130	60	650x650x79	13
086144	ODIS-LED-L-PB-SQ-GLM-8700-940, IP66/IP50	6486	49	132	60	650x650x79	13
086145	ODIS-LED-L-PB-SQ-GLM-12000-940, IP66/IP50	8557	70	122	45	650x650x79	13
R940							
086170	ODIS-LED-L-PB-R-GLM-3300-940, IP66/IP50	2270	17	134	60	1275x340x79	13
086171	ODIS-LED-L-PB-R-GLM-4800-940, IP66/IP50	3380	27	125	60	1275x340x79	13
086172	ODIS-LED-L-PB-R-GLM-6300-940, IP66/IP50	4258	37	115	60	1275x340x79	13
086173	ODIS-LED-L-PB-R-GLM-7200-940, IP66/IP50	4901	41	120	60	1275x340x79	13
086174	ODIS-LED-L-PB-R-GLM-8700-940, IP66/IP50	5961	49	122	55	1275x340x79	13
086175	ODIS-LED-L-PB-R-GLM-12000-940, IP66/IP50	7865	70	112	45	1275x340x79	13

CLM - matt tempered safety glass

GLM – matt tempered safety glass

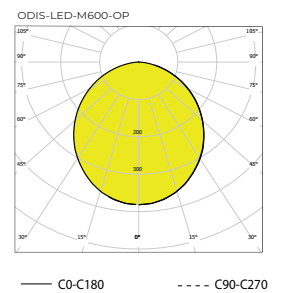


Tolerance of luminous flux and power input of the lighting fixture +/- 10%

Order number	Name	Lighting fixture luminous flux (lm)	Power input (W)	Rated power output (lm/W)	Ta max (°C)	Dimensions of lighting fixture A x B x C (mm)	Weight (kg)
SQ840							
085846	ODIS-LED-L-PB-SQ-OP-3300-840, IP66/IP50	2808	17	165	60	650x650x79	9
085847	ODIS-LED-L-PB-SQ-OP-4800-840, IP66/IP50	4182	27	155	60	650x650x79	9
085848	ODIS-LED-L-PB-SQ-OP-6300-840, IP66/IP50	5266	37	142	60	650x650x79	9
085849	ODIS-LED-L-PB-SQ-OP-7200-840, IP66/IP50	6063	41	148	60	650x650x79	9
085850	ODIS-LED-L-PB-SQ-OP-8700-840, IP66/IP50	7373	49	150	60	650x650x79	9
085851	ODIS-LED-L-PB-SQ-OP-12000-840, IP66/IP50	9729	70	139	45	650x650x79	9
R840							
085876	ODIS-LED-L-PB-R-OP-3300-840, IP66/IP50	2645	17	156	60	1275x340x79	9
085877	ODIS-LED-L-PB-R-OP-4800-840, IP66/IP50	3940	27	146	60	1275x340x79	9
085878	ODIS-LED-L-PB-R-OP-6300-840, IP66/IP50	4960	37	134	60	1275x340x79	9
085879	ODIS-LED-L-PB-R-OP-7200-840, IP66/IP50	5711	41	139	60	1275x340x79	9
085880	ODIS-LED-L-PB-R-OP-8700-840, IP66/IP50	6945	49	142	60	1275x340x79	9
085881	ODIS-LED-L-PB-R-OP-12000-840, IP66/IP50	9164	70	131	45	1275x340x79	9
SQ940							
086146	ODIS-LED-L-PB-SQ-OP-3300-940, IP66/IP50	2444	17	144	60	650x650x79	9
086147	ODIS-LED-L-PB-SQ-OP-4800-940, IP66/IP50	3639	27	135	60	650x650x79	9
086148	ODIS-LED-L-PB-SQ-OP-6300-940, IP66/IP50	4584	37	124	60	650x650x79	9
086149	ODIS-LED-L-PB-SQ-OP-7200-940, IP66/IP50	5276	41	129	60	650x650x79	9
086150	ODIS-LED-L-PB-SQ-OP-8700-940, IP66/IP50	6417	49	131	60	650x650x79	9
086151	ODIS-LED-L-PB-SQ-OP-12000-940, IP66/IP50	8467	70	121	45	650x650x79	9
R940							
086176	ODIS-LED-L-PB-R-OP-3300-940, IP66/IP50	2302	17	135	60	1275x340x79	9
086177	ODIS-LED-L-PB-R-OP-4800-940, IP66/IP50	3428	27	127	60	1275x340x79	9
086178	ODIS-LED-L-PB-R-OP-6300-940, IP66/IP50	4318	37	117	60	1275x340x79	9
086179	ODIS-LED-L-PB-R-OP-7200-940, IP66/IP50	4970	41	121	60	1275x340x79	9
086180	ODIS-LED-L-PB-R-OP-8700-940, IP66/IP50	6045	49	123	55	1275x340x79	9
086181	ODIS-LED-L-PB-R-OP-12000-940, IP66/IP50	7975	70	114	45	1275x340x79	9

OP - opal plexiglass

OP - opal plexiglass



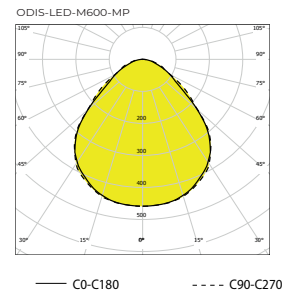
Tolerance of luminous flux and power input of the lighting fixture +/- 10%

MP - microprismatic plexiglass

Order number	Name	Lighting fixture luminous flux (lm)		Rated power output (lm/W)	Ta max (°C)	Dimensions of lighting fixture A x B x C (mm)	Weight (kg)
SQ840							
085852	ODIS-LED-L-PB-SQ-MP-3300-840, IP66/IP50	2732	17	161	60	650x650x79	9
085853	ODIS-LED-L-PB-SQ-MP-4800-840, IP66/IP50	4068	27	151	60	650x650x79	9
085854	ODIS-LED-L-PB-SQ-MP-6300-840, IP66/IP50	5123	37	138	60	650x650x79	9
085855	ODIS-LED-L-PB-SQ-MP-7200-840, IP66/IP50	5898	41	144	60	650x650x79	9
085856	ODIS-LED-L-PB-SQ-MP-8700-840, IP66/IP50	7172	49	146	60	650x650x79	9
085857	ODIS-LED-L-PB-SQ-MP-12000-840, IP66/IP50	9464	70	135	45	650x650x79	9
R840							
085882	ODIS-LED-L-PB-R-MP-3300-840, IP66/IP50	2535	17	149	60	1275x340x79	9
085883	ODIS-LED-L-PB-R-MP-4800-840, IP66/IP50	3776	27	140	60	1275x340x79	9
085884	ODIS-LED-L-PB-R-MP-6300-840, IP66/IP50	4754	37	128	60	1275x340x79	9
085885	ODIS-LED-L-PB-R-MP-7200-840, IP66/IP50	5474	41	134	60	1275x340x79	9
085886	ODIS-LED-L-PB-R-MP-8700-840, IP66/IP50	6656	49	136	55	1275x340x79	9
085887	ODIS-LED-L-PB-R-MP-12000-840, IP66/IP50	8784	70	125	45	1275x340x79	9
SQ940							
086152	ODIS-LED-L-PB-SQ-MP-3300-940, IP66/IP50	2377	17	140	60	650x650x79	9
086153	ODIS-LED-L-PB-SQ-MP-4800-940, IP66/IP50	3540	27	131	60	650x650x79	9
086154	ODIS-LED-L-PB-SQ-MP-6300-940, IP66/IP50	4459	37	121	60	650x650x79	9
086155	ODIS-LED-L-PB-SQ-MP-7200-940, IP66/IP50	5132	41	125	60	650x650x79	9
086156	ODIS-LED-L-PB-SQ-MP-8700-940, IP66/IP50	6242	49	127	60	650x650x79	9
086157	ODIS-LED-L-PB-SQ-MP-12000-940, IP66/IP50	8236	70	118	45	650x650x79	9
R940							
086182	ODIS-LED-L-PB-R-MP-3300-940, IP66/IP50	2206	17	130	60	1275x340x79	9
086183	ODIS-LED-L-PB-R-MP-4800-940, IP66/IP50	3285	27	122	60	1275x340x79	9
086184	ODIS-LED-L-PB-R-MP-6300-940, IP66/IP50	4139	37	112	60	1275x340x79	9
086185	ODIS-LED-L-PB-R-MP-7200-940, IP66/IP50	4764	41	116	60	1275x340x79	9
086186	ODIS-LED-L-PB-R-MP-8700-940, IP66/IP50	5794	49	118	55	1275x340x79	9
086187	ODIS-LED-L-PB-R-MP-12000-940, IP66/IP50	7644	70	109	45	1275x340x79	9

Tolerance of luminous flux and power input of the lighting fixture +/- 10%

MP – microprismatic plexiglass

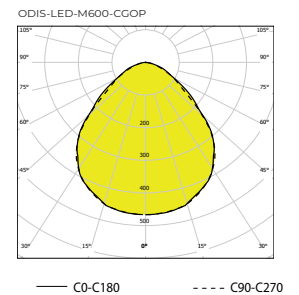


CGOP - clear tempered safety glass + opal plexiglass

Order number	Name	Lighting fixture luminous flux (lm)		Rated power output (lm/W)	Ta max (°C)	Dimensions of lighting fixture A x B x C (mm)	Weight (kg)
SQ840							
085858	ODIS-LED-L-PB-SQ-CGOP-3300-840, IP66/IP50	2589	17	152	60	650x650x79	13
085859	ODIS-LED-L-PB-SQ-CGOP-4800-840, IP66/IP50	3855	27	143	60	650x650x79	13
085860	ODIS-LED-L-PB-SQ-CGOP-6300-840, IP66/IP50	4854	37	131	60	650x650x79	13
085861	ODIS-LED-L-PB-SQ-CGOP-7200-840, IP66/IP50	5589	41	136	60	650x650x79	13
085862	ODIS-LED-L-PB-SQ-CGOP-8700-840, IP66/IP50	6796	49	139	60	650x650x79	13
085863	ODIS-LED-L-PB-SQ-CGOP-12000-840, IP66/IP50	8968	70	128	45	650x650x79	13
R840							
085888	ODIS-LED-L-PB-R-CGOP-3300-840, IP66/IP50	2386	17	140	60	1275x340x79	13
085889	ODIS-LED-L-PB-R-CGOP-4800-840, IP66/IP50	3553	27	132	60	1275x340x79	13
085890	ODIS-LED-L-PB-R-CGOP-6300-840, IP66/IP50	4474	37	121	60	1275x340x79	13
085891	ODIS-LED-L-PB-R-CGOP-7200-840, IP66/IP50	5150	41	126	60	1275x340x79	13
085892	ODIS-LED-L-PB-R-CGOP-8700-840, IP66/IP50	6263	49	128	55	1275x340x79	13
085893	ODIS-LED-L-PB-R-CGOP-12000-840, IP66/IP50	8265	70	118	45	1275x340x79	13
SQ940							
086158	ODIS-LED-L-PB-SQ-CGOP-3300-940, IP66/IP50	2253	17	133	60	650x650x79	13
086159	ODIS-LED-L-PB-SQ-CGOP-4800-940, IP66/IP50	3354	27	124	60	650x650x79	13
086160	ODIS-LED-L-PB-SQ-CGOP-6300-940, IP66/IP50	4226	37	114	60	650x650x79	13
086161	ODIS-LED-L-PB-SQ-CGOP-7200-940, IP66/IP50	4864	41	119	60	650x650x79	13
086162	ODIS-LED-L-PB-SQ-CGOP-8700-940, IP66/IP50	5915	49	121	60	650x650x79	13
086163	ODIS-LED-L-PB-SQ-CGOP-12000-940, IP66/IP50	7804	70	111	45	650x650x79	13
R940							
086188	ODIS-LED-L-PB-R-CGOP-3300-940, IP66/IP50	2076	17	122	60	1275x340x79	13
086189	ODIS-LED-L-PB-R-CGOP-4800-940, IP66/IP50	3091	27	114	60	1275x340x79	13
086190	ODIS-LED-L-PB-R-CGOP-6300-940, IP66/IP50	3894	37	105	60	1275x340x79	13
086191	ODIS-LED-L-PB-R-CGOP-7200-940, IP66/IP50	4482	41	109	60	1275x340x79	13
086192	ODIS-LED-L-PB-R-CGOP-8700-940, IP66/IP50	5452	49	111	55	1275x340x79	13
086193	ODIS-LED-L-PB-R-CGOP-12000-940, IP66/IP50	7192	70	103	45	1275x340x79	13

Tolerance of luminous flux and power input of the lighting fixture +/- 10%

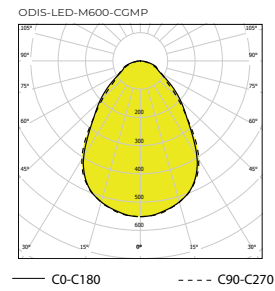
CGOP - clear tempered safety glass + opal plexiglass



Order number	Name	Lighting fixture luminous flux (lm)	Power input (W)	Rated power output (lm/W)	Ta max (°C)	Dimensions of lighting fixture A x B x C (mm)	Weight (kg)
SQ840							
085864	ODIS-LED-L-PB-SQ-CGMP-3300-840, IP66/IP50	2539	17	149	60	650x650x79	13
085865	ODIS-LED-L-PB-SQ-CGMP-4800-840, IP66/IP50	3781	27	140	60	650x650x79	13
085866	ODIS-LED-L-PB-SQ-CGMP-6300-840, IP66/IP50	4761	37	129	60	650x650x79	13
085867	ODIS-LED-L-PB-SQ-CGMP-7200-840, IP66/IP50	5481	41	134	60	650x650x79	13
085868	ODIS-LED-L-PB-SQ-CGMP-8700-840, IP66/IP50	6665	49	136	60	650x650x79	13
085869	ODIS-LED-L-PB-SQ-CGMP-12000-840, IP66/IP50	8795	70	126	45	650x650x79	13
R840							
085894	ODIS-LED-L-PB-R-CGMP-3300-840, IP66/IP50	2339	17	138	60	1275x340x79	13
085895	ODIS-LED-L-PB-R-CGMP-4800-840, IP66/IP50	3484	27	129	60	1275x340x79	13
085896	ODIS-LED-L-PB-R-CGMP-6300-840, IP66/IP50	4386	37	119	60	1275x340x79	13
085897	ODIS-LED-L-PB-R-CGMP-7200-840, IP66/IP50	5050	41	123	60	1275x340x79	13
085898	ODIS-LED-L-PB-R-CGMP-8700-840, IP66/IP50	6141	49	125	55	1275x340x79	13
085899	ODIS-LED-L-PB-R-CGMP-12000-840, IP66/IP50	8104	70	116	45	1275x340x79	13
SQ940							
086164	ODIS-LED-L-PB-SQ-CGMP-3300-940, IP66/IP50	2209	17	130	60	650x650x79	13
086165	ODIS-LED-L-PB-SQ-CGMP-4800-940, IP66/IP50	3290	27	122	60	650x650x79	13
086166	ODIS-LED-L-PB-SQ-CGMP-6300-940, IP66/IP50	4144	37	112	60	650x650x79	13
086167	ODIS-LED-L-PB-SQ-CGMP-7200-940, IP66/IP50	4770	41	116	60	650x650x79	13
086168	ODIS-LED-L-PB-SQ-CGMP-8700-940, IP66/IP50	5801	49	118	60	650x650x79	13
086169	ODIS-LED-L-PB-SQ-CGMP-12000-940, IP66/IP50	7654	70	109	45	650x650x79	13
R940							
086194	ODIS-LED-L-PB-R-CGMP-3300-940, IP66/IP50	2035	17	120	60	1275x340x79	13
086195	ODIS-LED-L-PB-R-CGMP-4800-940, IP66/IP50	3031	27	112	60	1275x340x79	13
086196	ODIS-LED-L-PB-R-CGMP-6300-940, IP66/IP50	3818	37	103	60	1275x340x79	13
086197	ODIS-LED-L-PB-R-CGMP-7200-940, IP66/IP50	4395	41	107	60	1275x340x79	13
086198	ODIS-LED-L-PB-R-CGMP-8700-940, IP66/IP50	5345	49	109	55	1275x340x79	13
086199	ODIS-LED-L-PB-R-CGMP-12000-940, IP66/IP50	7052	70	101	45	1275x340x79	13

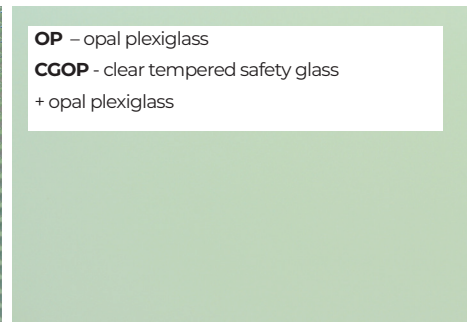
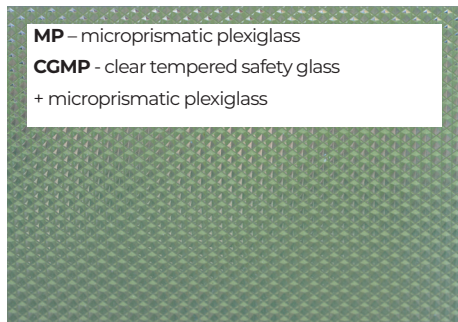
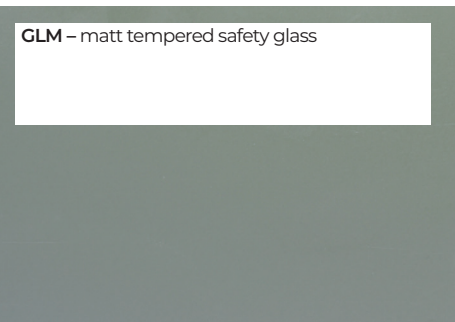
Tolerance of luminous flux and power input of the lighting fixture +/- 10%

CGMP - clear tempered safety glass + microprismatic plexiglass



CGMP - clear tempered safety glass + microprismatic plexiglass

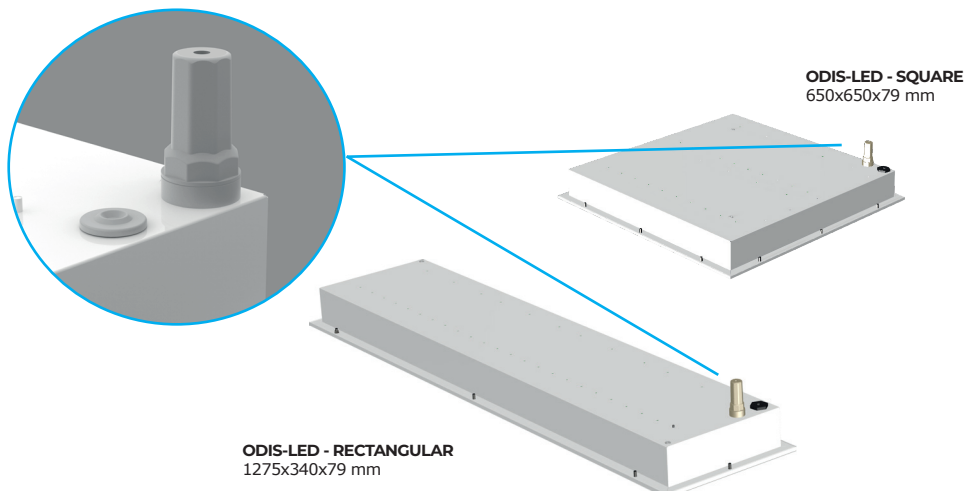
Diffuser options



Lighting fixture detail

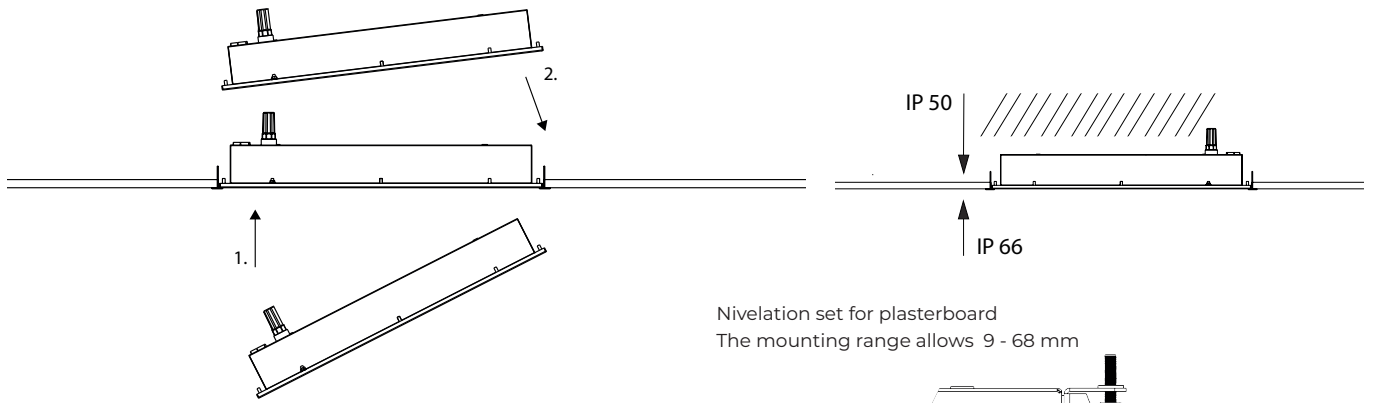
Integrated **ADELS CONNECTOR** allows for fast installation without a need to open luminaire. The luminaire will be connected to screwless terminal block and installed into false ceiling.

ROUNDED INNER EDGES OF THE FRAME - rounded inner edges eliminates the sediments of dust and impurities. This eliminates bacteriums creation and more easier cleaning of luminaire surface as well.



Lighting fixtures for clean rooms

Easy and fast mounting



Accessories on request

051232 - Set of safety suspension ODIS

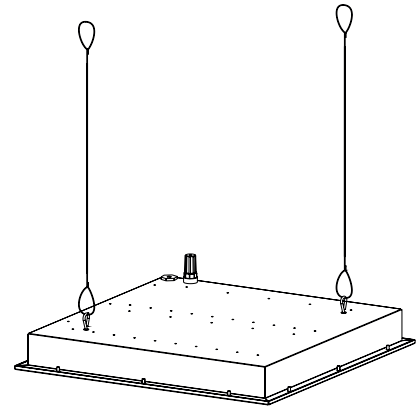
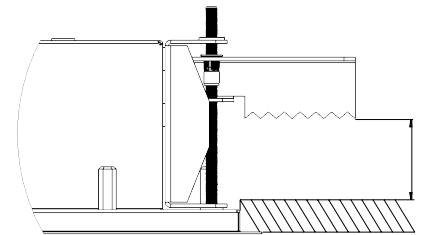
On request

MULTI – maintained emergency lighting is always on (standard luminaire with emergency lighting module) (1h, 3h)

DIM – dimmable electronic ballast (DALI)

RAL – other colour scale

3000/4000/5000/6500 K – colour temperatures



Code of luminaire

ODIS-LED-L- PB-SQ-GLM-3300-840,IP66/IP50

name of luminaire	light source	linear LED modules inside	type of ceiling	shape of luminaire R/SQ	type of diffuser	luminous flux of LED source	CRI and Tc value	protection from below	protection from above
-------------------	--------------	---------------------------	-----------------	-------------------------	------------------	-----------------------------	------------------	-----------------------	-----------------------

You can find the **ODIS-LED** video here:

