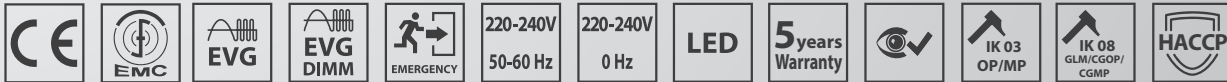


ODIS-LED-L-M625

IP66/IP50



Application: Recessed LED lighting fixture **designed for clean areas** in hospitals (operating theatres, Intensive Care Units, ambulances, surgery rooms, etc.), laboratories, microelectronics production, food industry. Housing made of white painted steel sheet (RAL9016), stainless steel AISI304 or AISI316 as option. Diffuser made of clear glass in combination with opal or microprismatic diffuser, opal or microprismatic plastic diffuser. **Clean screwless design for easy cleaning. Rounded edges of the frame eliminates the sediments and bacteriums creation.** Equipped with high quality electronic components **for high lifetime up to 100 000 h and efficiency up to 167 lm/W.** As standard also **available versions with CRI>90 a UGR<19.** Characterized by high lower degree of protection (IP66). Suitable for ambient temperatures from -20°C up to 60°C. Classified for **clean areas in compliance with ISO 14644-1. Connection by means of ADELS connector with no need to open luminaire – fast mounting and low costs for installation.** Large variability of luminaires according to installation types - false ceiling M600/625, metal ceiling M598/M623 or plasterboard / other atypical ceilings.

Ballast: EP – electronic 220-240 V/ 50-60 Hz AC, 220-240 V DC 0Hz

Light source: LED, 4000 K, CRI 80/90+, MacAdam3

Housing: White painted steel sheet RAL 9016

Diffuser: GLM – matt tempered safety glass

OP – opal plexiglass

MP – microprismatic plexiglass

CGOP - clear tempered safety glass + opal plexiglass

CGMP - clear tempered safety glass + microprismatic plexiglass

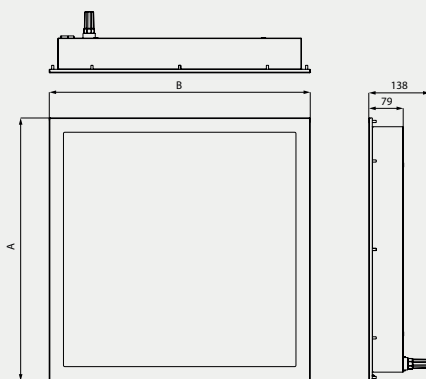
Fastening: Mounting into false ceilings of M600 modules. Minimum height of mounting space is 200 mm

Connection: Connection by means of ADELS connector, maximum cross section of wires 2,5 mm²

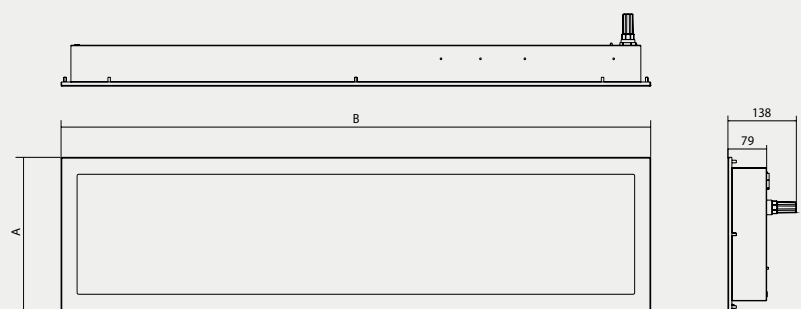
Standard equipment: ADELS connector – fast connection with no need to open the luminaire – connecting terminal block

Calculated lifetime – LED modules: L80B10 Ta30 – 70 000 h, L70B10 Ta30 – 100 000 h

SQ - SQUARE



R - RECTANGULAR



ADVANTAGES:

- European product – Made in Czech Republic
- Elimination of sediments and easy cleaning because of clean screwless design
- Extreme fast installation because of used connector, no need to open luminaire
- Certified for clean areas in compliance with ISO 14644-1 class 4-9
- Wide variability of diffusers for different applications
- High energy efficiency up to 167 lm/W
- Homogenous lighting distribution

TYPICAL APPLICATION:



Microelectronic
& Semiconductor
fabrication



Hospitals



Pharma
& Laboratories



Operating theater

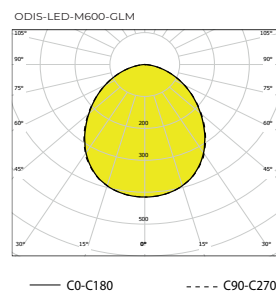


Food & beverages
production areas

Order number	Name	Lighting fixture luminous flux (lm)	Power input (W)	Rated power output (lm/W)	Ta max (°C)	Dimensions of lighting fixture A x B x C (mm)	Weight (kg)
SQ840							
085660	ODIS-LED-L-M625-SQ-GLM-3300-840, IP66/IP50	2838	17	167	60	620x620x79	12
085661	ODIS-LED-L-M625-SQ-GLM-4800-840, IP66/IP50	4227	27	157	60	620x620x79	12
085662	ODIS-LED-L-M625-SQ-GLM-6300-840, IP66/IP50	5322	37	144	60	620x620x79	12
085663	ODIS-LED-L-M625-SQ-GLM-7200-840, IP66/IP50	6127	41	149	60	620x620x79	12
085664	ODIS-LED-L-M625-SQ-GLM-8700-840, IP66/IP50	7451	49	152	60	620x620x79	12
085665	ODIS-LED-L-M625-SQ-GLM-12000-840, IP66/IP50	9833	70	140	45	620x620x79	12
R840							
085690	ODIS-LED-L-M625-R-GLM-3300-840, IP66/IP50	2609	17	153	60	1245x310x79	12
085691	ODIS-LED-L-M625-R-GLM-4800-840, IP66/IP50	3885	27	144	60	1245x310x79	12
085692	ODIS-LED-L-M625-R-GLM-6300-840, IP66/IP50	4892	37	132	60	1245x310x79	12
085693	ODIS-LED-L-M625-R-GLM-7200-840, IP66/IP50	5632	41	137	60	1245x310x79	12
085694	ODIS-LED-L-M625-R-GLM-8700-840, IP66/IP50	6849	49	140	55	1245x310x79	12
085695	ODIS-LED-L-M625-R-GLM-12000-840, IP66/IP50	9037	70	129	45	1245x310x79	12
SQ940							
085960	ODIS-LED-L-M625-SQ-GLM-3300-940, IP66/IP50	2470	17	145	60	620x620x79	12
085961	ODIS-LED-L-M625-SQ-GLM-4800-940, IP66/IP50	3678	27	136	60	620x620x79	12
085962	ODIS-LED-L-M625-SQ-GLM-6300-940, IP66/IP50	4633	37	125	60	620x620x79	12
085963	ODIS-LED-L-M625-SQ-GLM-7200-940, IP66/IP50	5332	41	130	60	620x620x79	12
085964	ODIS-LED-L-M625-SQ-GLM-8700-940, IP66/IP50	6486	49	132	60	620x620x79	12
085965	ODIS-LED-L-M625-SQ-GLM-12000-940, IP66/IP50	8557	70	122	45	620x620x79	12
R940							
085990	ODIS-LED-L-M625-R-GLM-3300-940, IP66/IP50	2270	17	134	60	1245x310x79	12
085991	ODIS-LED-L-M625-R-GLM-4800-940, IP66/IP50	3380	27	125	60	1245x310x79	12
085992	ODIS-LED-L-M625-R-GLM-6300-940, IP66/IP50	4258	37	115	60	1245x310x79	12
085993	ODIS-LED-L-M625-R-GLM-7200-940, IP66/IP50	4901	41	120	60	1245x310x79	12
085994	ODIS-LED-L-M625-R-GLM-8700-940, IP66/IP50	5961	49	122	55	1245x310x79	12
085995	ODIS-LED-L-M625-R-GLM-12000-940, IP66/IP50	7865	70	112	45	1245x310x79	12

Tolerance of luminous flux and power input of the lighting fixture +/- 10%

GLM - matt tempered safety glass

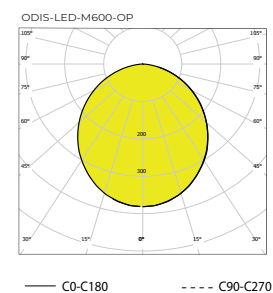


CLM - matt tempered safety glass

Order number	Name	Lighting fixture luminous flux (lm)	Power input (W)	Rated power output (lm/W)	Ta max (°C)	Dimensions of lighting fixture A x B x C (mm)	Weight (kg)
SQ840							
085666	ODIS-LED-L-M625-SQ-OP-3300-840, IP66/IP50	2808	17	165	60	620x620x79	8
085667	ODIS-LED-L-M625-SQ-OP-4800-840, IP66/IP50	4182	27	155	60	620x620x79	8
085668	ODIS-LED-L-M625-SQ-OP-6300-840, IP66/IP50	5266	37	142	60	620x620x79	8
085669	ODIS-LED-L-M625-SQ-OP-7200-840, IP66/IP50	6063	41	148	60	620x620x79	8
085670	ODIS-LED-L-M625-SQ-OP-8700-840, IP66/IP50	7373	49	150	60	620x620x79	8
085671	ODIS-LED-L-M625-SQ-OP-12000-840, IP66/IP50	9729	70	139	45	620x620x79	8
R840							
085696	ODIS-LED-L-M625-R-OP-3300-840, IP66/IP50	2645	17	156	60	1245x310x79	8
085697	ODIS-LED-L-M625-R-OP-4800-840, IP66/IP50	3940	27	146	60	1245x310x79	8
085698	ODIS-LED-L-M625-R-OP-6300-840, IP66/IP50	4960	37	134	60	1245x310x79	8
085699	ODIS-LED-L-M625-R-OP-7200-840, IP66/IP50	5711	41	139	60	1245x310x79	8
085700	ODIS-LED-L-M625-R-OP-8700-840, IP66/IP50	6945	49	142	60	1245x310x79	8
085701	ODIS-LED-L-M625-R-OP-12000-840, IP66/IP50	9164	70	131	45	1245x310x79	8
SQ940							
085966	ODIS-LED-L-M625-SQ-OP-3300-940, IP66/IP50	2444	17	144	60	620x620x79	8
085967	ODIS-LED-L-M625-SQ-OP-4800-940, IP66/IP50	3639	27	135	60	620x620x79	8
085968	ODIS-LED-L-M625-SQ-OP-6300-940, IP66/IP50	4584	37	124	60	620x620x79	8
085969	ODIS-LED-L-M625-SQ-OP-7200-940, IP66/IP50	5276	41	129	60	620x620x79	8
085970	ODIS-LED-L-M625-SQ-OP-8700-940, IP66/IP50	6417	49	131	60	620x620x79	8
085971	ODIS-LED-L-M625-SQ-OP-12000-940, IP66/IP50	8467	70	121	45	620x620x79	8
R940							
085996	ODIS-LED-L-M625-R-OP-3300-940, IP66/IP50	2302	17	135	60	1245x310x79	8
085997	ODIS-LED-L-M625-R-OP-4800-940, IP66/IP50	3428	27	127	60	1245x310x79	8
085998	ODIS-LED-L-M625-R-OP-6300-940, IP66/IP50	4318	37	117	60	1245x310x79	8
085999	ODIS-LED-L-M625-R-OP-7200-940, IP66/IP50	4970	41	121	60	1245x310x79	8
086000	ODIS-LED-L-M625-R-OP-8700-940, IP66/IP50	6045	49	123	55	1245x310x79	8
086001	ODIS-LED-L-M625-R-OP-12000-940, IP66/IP50	7975	70	114	45	1245x310x79	8

Tolerance of luminous flux and power input of the lighting fixture +/- 10%

OP - opal plexiglass



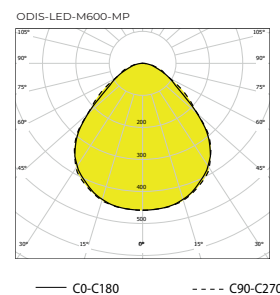
OP - opal plexiglass

MP - microprismatic plexiglass

Order number	Name	Lighting fixture luminous flux (lm)		Rated power output (lm/W)	Ta max (°C)	Dimensions of lighting fixture A x B x C (mm)	Weight (kg)
SQ840							
085672	ODIS-LED-L-M625-SQ-MP-3300-840, IP66/IP50	2732	17	161	60	620x620x79	8
085673	ODIS-LED-L-M625-SQ-MP-4800-840, IP66/IP50	4068	27	151	60	620x620x79	8
085674	ODIS-LED-L-M625-SQ-MP-6300-840, IP66/IP50	5123	37	138	60	620x620x79	8
085675	ODIS-LED-L-M625-SQ-MP-7200-840, IP66/IP50	5898	41	144	60	620x620x79	8
085676	ODIS-LED-L-M625-SQ-MP-8700-840, IP66/IP50	7172	49	146	60	620x620x79	8
085677	ODIS-LED-L-M625-SQ-MP-12000-840, IP66/IP50	9464	70	135	45	620x620x79	8
R840							
085702	ODIS-LED-L-M625-R-MP-3300-840, IP66/IP50	2535	17	149	60	1245x310x79	8
085703	ODIS-LED-L-M625-R-MP-4800-840, IP66/IP50	3776	27	140	60	1245x310x79	8
085704	ODIS-LED-L-M625-R-MP-6300-840, IP66/IP50	4754	37	128	60	1245x310x79	8
085705	ODIS-LED-L-M625-R-MP-7200-840, IP66/IP50	5474	41	134	60	1245x310x79	8
085706	ODIS-LED-L-M625-R-MP-8700-840, IP66/IP50	6656	49	136	55	1245x310x79	8
085707	ODIS-LED-L-M625-R-MP-12000-840, IP66/IP50	8784	70	125	45	1245x310x79	8
SQ940							
085972	ODIS-LED-L-M625-SQ-MP-3300-940, IP66/IP50	2377	17	140	60	620x620x79	8
085973	ODIS-LED-L-M625-SQ-MP-4800-940, IP66/IP50	3540	27	131	60	620x620x79	8
085974	ODIS-LED-L-M625-SQ-MP-6300-940, IP66/IP50	4459	37	121	60	620x620x79	8
085975	ODIS-LED-L-M625-SQ-MP-7200-940, IP66/IP50	5132	41	125	60	620x620x79	8
085976	ODIS-LED-L-M625-SQ-MP-8700-940, IP66/IP50	6242	49	127	60	620x620x79	8
085977	ODIS-LED-L-M625-SQ-MP-12000-940, IP66/IP50	8236	70	118	45	620x620x79	8
R940							
086002	ODIS-LED-L-M625-R-MP-3300-940, IP66/IP50	2206	17	130	60	1245x310x79	8
086003	ODIS-LED-L-M625-R-MP-4800-940, IP66/IP50	3285	27	122	60	1245x310x79	8
086004	ODIS-LED-L-M625-R-MP-6300-940, IP66/IP50	4139	37	112	60	1245x310x79	8
086005	ODIS-LED-L-M625-R-MP-7200-940, IP66/IP50	4764	41	116	60	1245x310x79	8
086006	ODIS-LED-L-M625-R-MP-8700-940, IP66/IP50	5794	49	118	55	1245x310x79	8
086007	ODIS-LED-L-M625-R-MP-12000-940, IP66/IP50	7644	70	109	45	1245x310x79	8

Tolerance of luminous flux and power input of the lighting fixture +/- 10%

MP – microprismatic plexiglass

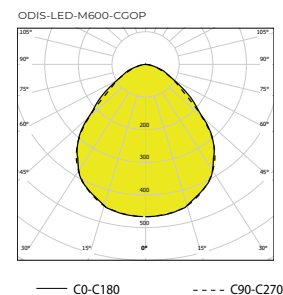


CCOP - clear tempered safety glass + opal plexiglass

Order number	Name	Lighting fixture luminous flux (lm)		Rated power output (lm/W)	Ta max (°C)	Dimensions of lighting fixture A x B x C (mm)	Weight (kg)
SQ840							
085678	ODIS-LED-L-M625-SQ-CGOP-3300-840, IP66/IP50	2589	17	152	60	620x620x79	12
085679	ODIS-LED-L-M625-SQ-CGOP-4800-840, IP66/IP50	3855	27	143	60	620x620x79	12
085680	ODIS-LED-L-M625-SQ-CGOP-6300-840, IP66/IP50	4854	37	131	60	620x620x79	12
085681	ODIS-LED-L-M625-SQ-CGOP-7200-840, IP66/IP50	5589	41	136	60	620x620x79	12
085682	ODIS-LED-L-M625-SQ-CGOP-8700-840, IP66/IP50	6796	49	139	60	620x620x79	12
085683	ODIS-LED-L-M625-SQ-CGOP-12000-840, IP66/IP50	8968	70	128	45	620x620x79	12
R840							
085708	ODIS-LED-L-M625-R-CGOP-3300-840, IP66/IP50	2386	17	140	60	1245x310x79	12
085709	ODIS-LED-L-M625-R-CGOP-4800-840, IP66/IP50	3553	27	132	60	1245x310x79	12
085710	ODIS-LED-L-M625-R-CGOP-6300-840, IP66/IP50	4474	37	121	60	1245x310x79	12
085711	ODIS-LED-L-M625-R-CGOP-7200-840, IP66/IP50	5150	41	126	60	1245x310x79	12
085712	ODIS-LED-L-M625-R-CGOP-8700-840, IP66/IP50	6263	49	128	55	1245x310x79	12
085713	ODIS-LED-L-M625-R-CGOP-12000-840, IP66/IP50	8265	70	118	45	1245x310x79	12
SQ940							
085378	ODIS-LED-M625-SQ-CGOP-3300-940, IP66/IP50	2253	17	133	60	620x620x79	12
085379	ODIS-LED-M625-SQ-CGOP-4800-940, IP66/IP50	3354	27	124	60	620x620x79	12
085380	ODIS-LED-M625-SQ-CGOP-6300-940, IP66/IP50	4226	37	114	60	620x620x79	12
085381	ODIS-LED-M625-SQ-CGOP-7200-940, IP66/IP50	4864	41	119	60	620x620x79	12
085382	ODIS-LED-M625-SQ-CGOP-8700-940, IP66/IP50	5915	49	121	60	620x620x79	12
085383	ODIS-LED-M625-SQ-CGOP-12000-940, IP66/IP50	7804	70	111	45	620x620x79	12
R940							
086008	ODIS-LED-L-M625-R-CGOP-3300-940, IP66/IP50	2076	17	122	60	1245x310x79	12
086009	ODIS-LED-L-M625-R-CGOP-4800-940, IP66/IP50	3091	27	114	60	1245x310x79	12
086010	ODIS-LED-L-M625-R-CGOP-6300-940, IP66/IP50	3894	37	105	60	1245x310x79	12
086011	ODIS-LED-L-M625-R-CGOP-7200-940, IP66/IP50	4482	41	109	60	1245x310x79	12
086012	ODIS-LED-L-M625-R-CGOP-8700-940, IP66/IP50	5452	49	111	55	1245x310x79	12
086013	ODIS-LED-L-M625-R-CGOP-12000-940, IP66/IP50	7192	70	103	45	1245x310x79	12

Tolerance of luminous flux and power input of the lighting fixture +/- 10%

CGOP - clear tempered safety glass + opal plexiglass

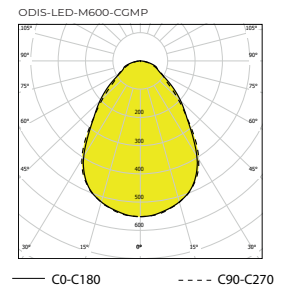


Order number	Name	Lighting fixture luminous flux (lm)	Power input (W)	Rated power output (lm/W)	Ta max (°C)	Dimensions of lighting fixture A x B x C (mm)	Weight (kg)
SQ840							
085684	ODIS-LED-L-M625-SQ-CGMP-3300-840, IP66/IP50	2539	17	149	60	620x620x79	12
085685	ODIS-LED-L-M625-SQ-CGMP-4800-840, IP66/IP50	3781	27	140	60	620x620x79	12
085686	ODIS-LED-L-M625-SQ-CGMP-6300-840, IP66/IP50	4761	37	129	60	620x620x79	12
085687	ODIS-LED-L-M625-SQ-CGMP-7200-840, IP66/IP50	5481	41	134	60	620x620x79	12
085688	ODIS-LED-L-M625-SQ-CGMP-8700-840, IP66/IP50	6665	49	136	60	620x620x79	12
085689	ODIS-LED-L-M625-SQ-CGMP-12000-840, IP66/IP50	8795	70	126	45	620x620x79	12
R840							
085714	ODIS-LED-L-M625-R-CGMP-3300-840, IP66/IP50	2339	17	138	60	1245x310x79	12
085715	ODIS-LED-L-M625-R-CGMP-4800-840, IP66/IP50	3484	27	129	60	1245x310x79	12
085716	ODIS-LED-L-M625-R-CGMP-6300-840, IP66/IP50	4386	37	119	60	1245x310x79	12
085717	ODIS-LED-L-M625-R-CGMP-7200-840, IP66/IP50	5050	41	123	60	1245x310x79	12
085718	ODIS-LED-L-M625-R-CGMP-8700-840, IP66/IP50	6141	49	125	55	1245x310x79	12
085719	ODIS-LED-L-M625-R-CGMP-12000-840, IP66/IP50	8104	70	116	45	1245x310x79	12
SQ940							
085984	ODIS-LED-L-M625-SQ-CGMP-3300-940, IP66/IP50	2209	17	130	60	620x620x79	12
085985	ODIS-LED-L-M625-SQ-CGMP-4800-940, IP66/IP50	3290	27	122	60	620x620x79	12
085986	ODIS-LED-L-M625-SQ-CGMP-6300-940, IP66/IP50	4144	37	112	60	620x620x79	12
085987	ODIS-LED-L-M625-SQ-CGMP-7200-940, IP66/IP50	4770	41	116	60	620x620x79	12
085988	ODIS-LED-L-M625-SQ-CGMP-8700-940, IP66/IP50	5801	49	118	60	620x620x79	12
085989	ODIS-LED-L-M625-SQ-CGMP-12000-940, IP66/IP50	7654	70	109	45	620x620x79	12
R940							
086014	ODIS-LED-L-M625-R-CGMP-3300-940, IP66/IP50	2035	17	120	60	1245x310x79	12
086015	ODIS-LED-L-M625-R-CGMP-4800-940, IP66/IP50	3031	27	112	60	1245x310x79	12
086016	ODIS-LED-L-M625-R-CGMP-6300-940, IP66/IP50	3818	37	103	60	1245x310x79	12
086017	ODIS-LED-L-M625-R-CGMP-7200-940, IP66/IP50	4395	41	107	60	1245x310x79	12
086018	ODIS-LED-L-M625-R-CGMP-8700-940, IP66/IP50	5345	49	109	55	1245x310x79	12
086019	ODIS-LED-L-M625-R-CGMP-12000-940, IP66/IP50	7052	70	101	45	1245x310x79	12

Tolerance of luminous flux and power input of the lighting fixture +/- 10%

CGMP - clear tempered safety glass + microprismatic plexiglass

CGMP - clear tempered safety glass + microprismatic plexiglass



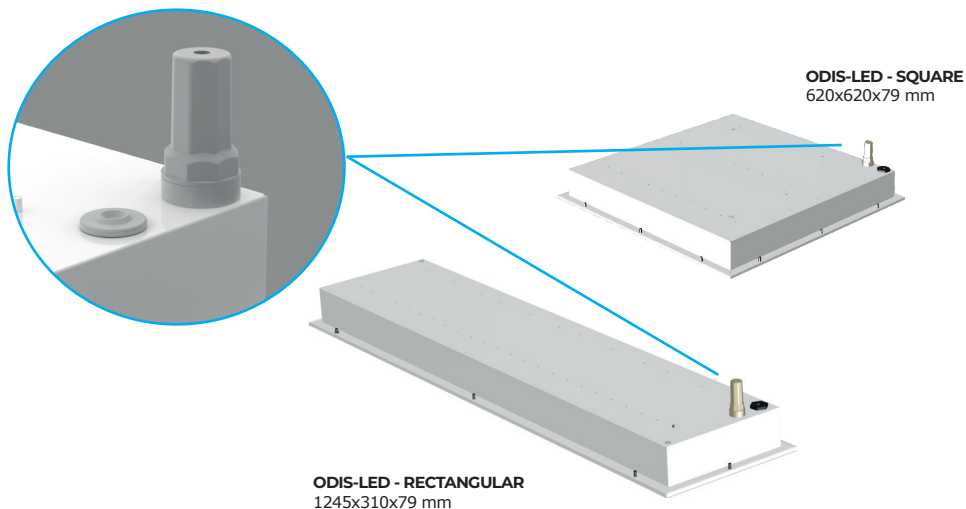
Diffuser options

GLM – matt tempered safety glass	MP – microprismatic plexiglass CGMP - clear tempered safety glass + microprismatic plexiglass	OP – opal plexiglass CGOP - clear tempered safety glass + opal plexiglass
---	--	--

Lighting fixture detail

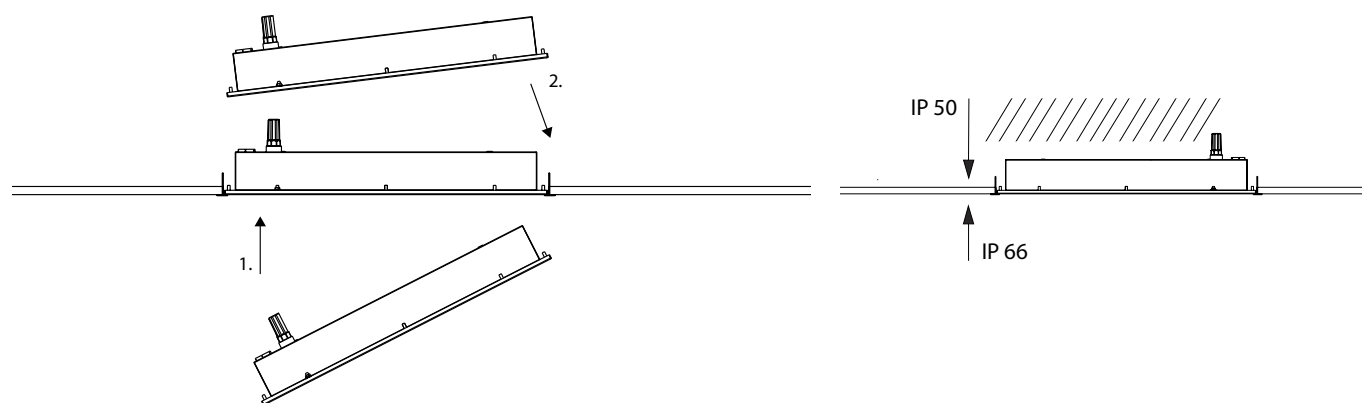
Integrated **ADELS CONNECTOR** allows for fast installation without a need to open luminaire. The luminaire will be connected to screwless terminal block and installed into false ceiling.

ROUNDED INNER EDGES OF THE FRAME – rounded inner edges eliminates the sediments of dust and impurities. This eliminates bacteriums creation and more easier cleaning of luminaire surface as well.



Lighting fixtures for clean rooms

Easy and fast mounting



Accessories on request

051232 - Set of safety suspension ODIS

On request

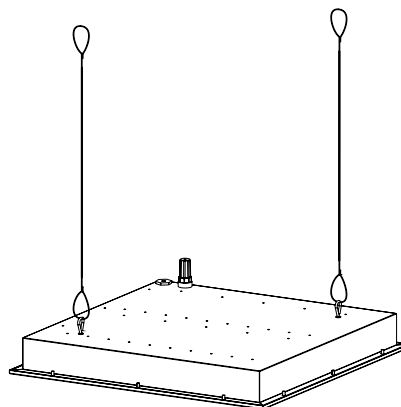
MULTI – maintained emergency lighting is always on (standard luminaire with emergency lighting module) (1h, 3h)

DIM – dimmable electronic ballast (DALI)

RAL – other colour scale

3000/4000/5000/6500 K – colour temperatures

CLICK – modification for a click system



Code of luminaire

ODIS-LED-L-M625-SQ-GLM-3300-840,IP66/IP50

name of luminaire	light source	linear LED modules inside	type of ceiling	shape of luminaire R/SQ	type of diffuser	luminous flux of LED source	CRI and Tc value	protection from below	protection from above
-------------------	--------------	---------------------------	-----------------	-------------------------	------------------	-----------------------------	------------------	-----------------------	-----------------------

You can find the **ODIS-LED** video here:

