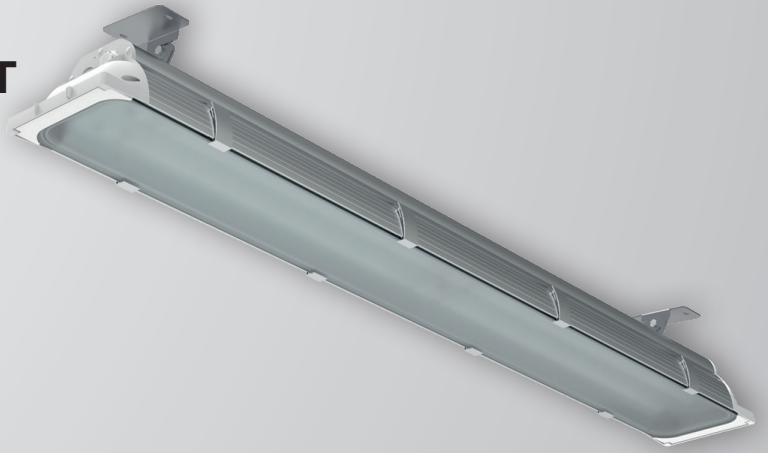
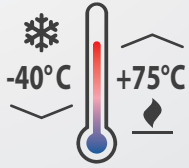


EXTREME-LED-PLUS/FROST

IP 65



Application: Aluminium dustproof lighting fixture EXTREME-LED-PLUS/FROST with splash water resistance designed for workshops, garages, industrial and production areas with higher ambient temperature, or warehouses and freezers with low temperature.

Ballast: EP – electronic 220-240 V/50-60 Hz AC, 220-240 V DC

Light source: LED, 4000K, CRI +80, MacAdam3

Housing: Aluminium alloy with ELOX surface treatment equipped with plastic ends caps (polycarbonate)

Diffuser: OP – matt hardened safety glass

Fastening: Surface wall or ceiling mounting by means of adjustable brackets, suspension via set of cable suspenders

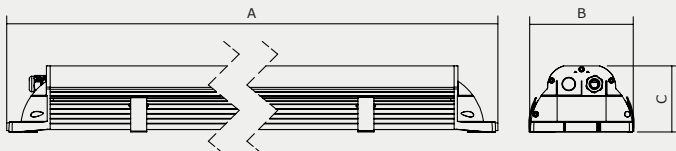
Connection: Screwless three-pole terminal block, maximum diameter of wires 2.5 mm²

Standard equipment: 1 pc M20 cable gland for diameter of cable 7-12 mm, 1 pc M20 sealing plug

Calculated lifetime – LED modules:

L80B10 Ta40 – 75 000h

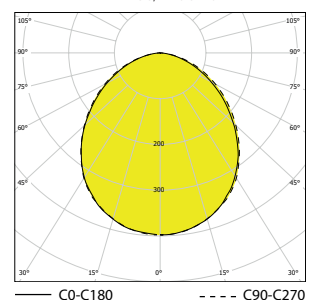
L70B10 Ta40 – 110 000h



Order number	Name	Lighting fixture luminous flux (lm)	Power input (W)	Rated power output (lm/W)	Ta max (°C)	Dimensions of lighting fixture A x B x C (mm)	Weight (kg)
054465	EXTREME-LED-PLUS/FROST-OP-1R-5000-236-4K	3940	28	141	75	1320x165x105	8
054466	EXTREME-LED-PLUS/FROST-OP-2R-10000-236-4K	7881	56	141	65	1320x165x105	8
054467	EXTREME-LED-PLUS/FROST-OP-1R-4750-258-4K	3826	26	147	75	1620x165x105	10
054468	EXTREME-LED-PLUS/FROST-OP-1R-7500-258-4K	6142	43	143	70	1620x165x105	10
054469	EXTREME-LED-PLUS/FROST-OP-2R-12500-258-4K	9891	69	143	65	1620x165x105	10

Tolerance of luminous flux and power input of the lighting fixture +/- 10%

EXTREME-LED-PLUS/FROST-OP

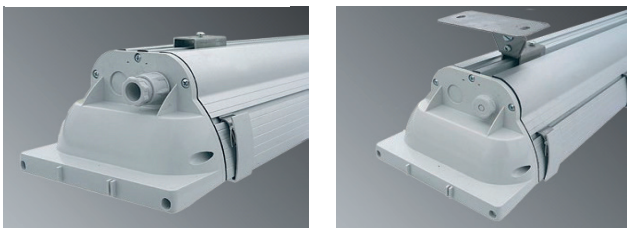


Accessories on request



008006N	Cable gland ESKV M20x1.5
008088	Ventilation plug EVPS 20, grey RAL 7035
008097	Plastic nut WISKA EMUG 20 M20x1.5

Lighting fixture detail



On request

2.7K-6.5K - colour temperature

DIM – dimmable electronic ballast (DALI)

GESIS – possibility to equip lighting fixtures with connectors

1/3 F - single-phase or three phase through wiring connection, maximum diameter of wires 2.5 mm²

Stadard order number	EM-1H	EM-3H	MULTI-1H	MULTI-3H	DALI	1F	3F
054465	X	X	X	X	054465 DALI	054465 1F	054465 3F
054466	X	X	X	X	054466 DALI	054466 1F	054466 3F
054467	X	X	X	X	054467 DALI	054467 1F	054467 3F
054468	X	X	X	X	054468 DALI	054468 1F	054468 3F
054469	X	X	X	X	054469 DALI	054469 1F	054469 3F