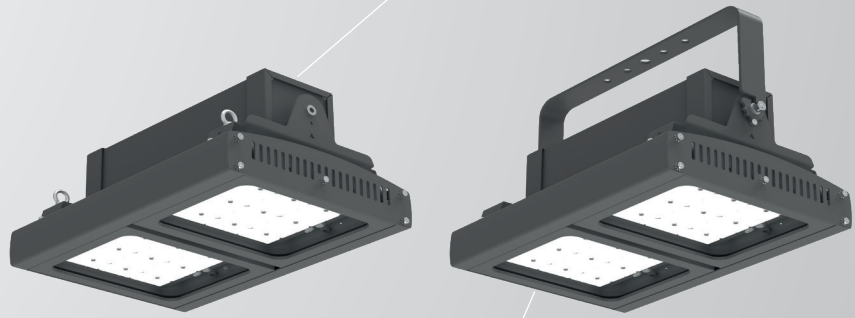
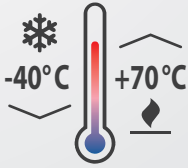


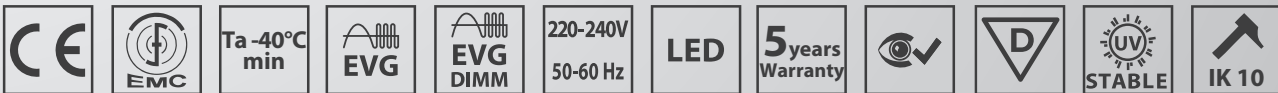
Standard equipment - stainless steel bracket

BERGER-LED

IP66



Adjustable bracket on request only



Application: Robust **HIGH-BAY LED luminaire** designed for production halls, heavy industry and outdoor workspaces. Housing made of extremely durable aluminium (RAL7043). Cover made of clear tempered safety glass. Optic system inside guarantees various lumen curves for different applications. High quality electronic components guarantee **high efficiency up to 167 lm/W and extremely long lifetime 100 000 h even at high temperatures. Modular system** allows to choose the luminous output according to project needs. **Dust and water proof with a rating IP66.** It can be operated at temperatures **from -40°C to +70°C.** Excellent heat dissipation due to additional cooling of each luminaire modul. For suspended or surface mounting. Adjustable bracket allows a wide variety of applications.

Ballast: EP – electronic - 220–240 V, 50/60 Hz

Light source: LED, 4000 K, CRI +80, MacAdam3

Housing: Aluminium profile RAL 7043

Diffuser: Clear tempered safety glass

Fastening: Suspended by means of brackets or surface mounted by means of adjustable bracket. **Adjustable bracket on request only.**

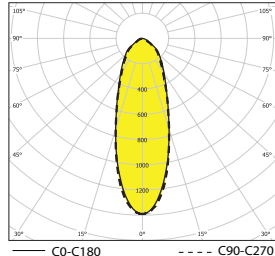
Connection: By means of 2 m cable. FROST/T40/T50/T60 versions are as standard equipped with plastic cable gland, T70 version is standardly equipped with metal cable gland

Standard equipment: 4x stainless steel suspending M5 bracket, 2 m cable (3x1,5 mm²)

Calculated life time of LED modules: L90B50 Ta25 – 50 000 h; L80B50 Ta25 – 150 000 h; L70B50 Ta70 – 100 000 h

30 – optics with radiant angle 30°

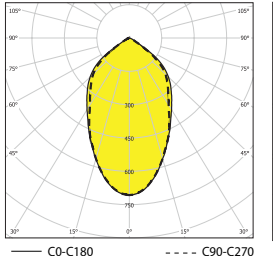
BERGER-LED-30



— C0-C180 - - - - C90-C270

60 – optics with radiant angle 60°

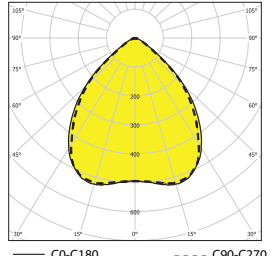
BERGER-LED-60



— C0-C180 - - - - C90-C270

90 – optics with radiant angle 90°

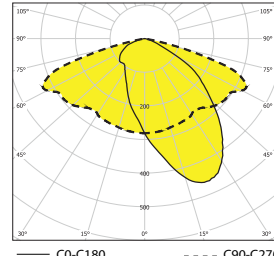
BERGER-LED-90



— C0-C180 - - - - C90-C270

AS – asymmetric optics 90°

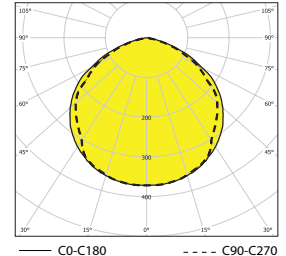
BERGER-LED-AS



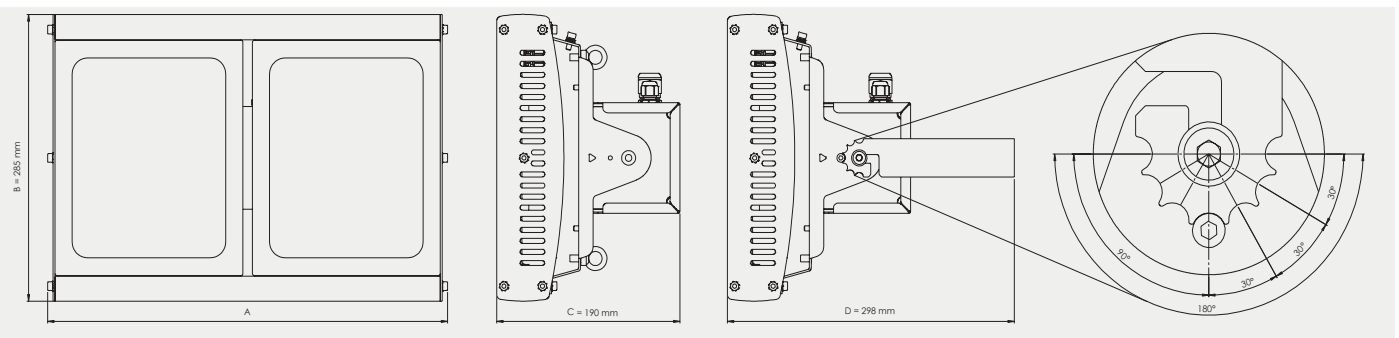
— C0-C180 - - - - C90-C270

WO – without optics

BERGER-LED-WO



— C0-C180 - - - - C90-C270



ADVANTAGES:

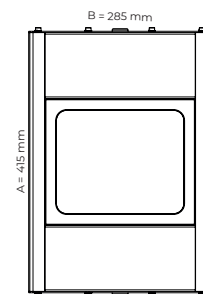
- Extreme high led lifetime L70B50 Ta70 - 100 000 h even at high temperatures
- Made in Europe - Czech Republic origin
- Robust housing
- High efficiency up to 179 lm/W
- Luminous flux versions from 8 000 up to 43 000 lm
- Option of adjustable installation
- Variability of declared ambient temperatures

TYPICAL APPLICATION:



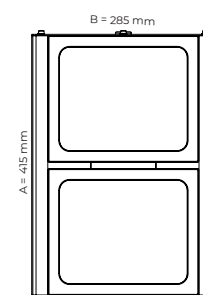
Order number	Name	Lighting fixture luminous flux (lm)	Power input (W)	Rated power output (lm/W)	Ta (°C)	Dimensions of lighting fixture A x B x C (mm)	Nr. LED modules	Weight (Kg)
Ta 50°C								
080973	BERGER-LED-T50-30-12200-4K-1M, IP66	10031	69	145	-20°C/50°C	415x285x190	1	8,5
080970	BERGER-LED-T50-60-12200-4K-1M, IP66	10767	69	156	-20°C/50°C	415x285x190	1	8,5
080971	BERGER-LED-T50-90-12200-4K-1M, IP66	10922	69	158	-20°C/50°C	415x285x190	1	8,5
080974	BERGER-LED-T50-AS-12200-4K-1M, IP66	9700	69	141	-20°C/50°C	415x285x190	1	8,5
080972	BERGER-LED-T50-WO-12200-4K-1M, IP66	10566	69	153	-20°C/50°C	415x285x190	1	8,5
Ta 60°C								
080913	BERGER-LED-T60-30-9900-4K-1M, IP66	8219	54	152	-20°C/60°C	415x285x190	1	8,5
080910	BERGER-LED-T60-60-9900-4K-1M, IP66	8798	54	163	-20°C/60°C	415x285x190	1	8,5
080911	BERGER-LED-T60-90-9900-4K-1M, IP66	8933	54	165	-20°C/60°C	415x285x190	1	8,5
080914	BERGER-LED-T60-AS-9900-4K-1M, IP66	7947	54	147	-20°C/60°C	415x285x190	1	8,5
080912	BERGER-LED-T60-WO-9900-4K-1M, IP66	8621	54	160	-20°C/60°C	415x285x190	1	8,5
Ta 70°C								
080933	BERGER-LED-T70-30-6350-4K-1M, IP66	5297	33	161	-20°C/70°	415x285x190	1	8,5
080930	BERGER-LED-T70-60-6350-4K-1M, IP66	5665	33	172	-20°C/70°	415x285x190	1	8,5
080931	BERGER-LED-T70-90-6350-4K-1M, IP66	5764	33	175	-20°C/70°	415x285x190	1	8,5
080934	BERGER-LED-T70-AS-6350-4K-1M, IP66	5129	33	155	-20°C/70°	415x285x190	1	8,5
080932	BERGER-LED-T70-WO-6350-4K-1M, IP66	5580	33	169	-20°C/70°	415x285x190	1	8,5
Ta -40°C								
080953	BERGER-LED-FROST-30-9900-4K-1M, IP66	8219	54	152	-40°C/50°C	415x285x190	1	8,5
080950	BERGER-LED-FROST-60-9900-4K-1M, IP66	8798	54	163	-40°C/50°C	415x285x190	1	8,5
080951	BERGER-LED-FROST-90-9900-4K-1M, IP66	8933	54	165	-40°C/50°C	415x285x190	1	8,5
080954	BERGER-LED-FROST-AS-9900-4K-1M, IP66	7947	54	147	-40°C/50°C	415x285x190	1	8,5
080952	BERGER-LED-FROST-WO-9900-4K-1M, IP66	8621	54	160	-40°C/50°C	415x285x190	1	8,5

1M - 1 module



Order number	Name	Lighting fixture luminous flux (lm)	Power input (W)	Rated power output (lm/W)	Ta (°C)	Dimensions of lighting fixture A x B x C (mm)	Nr. LED modules	Weight (Kg)
Ta 50°C								
080978	BERGER-LED-T50-30-24400-4K-2M, IP66	20061	136	148	-20°C/50°C	415x285x190	2	11
080975	BERGER-LED-T50-60-24400-4K-2M, IP66	21534	136	158	-20°C/50°C	415x285x190	2	11
080976	BERGER-LED-T50-90-24400-4K-2M, IP66	21844	136	161	-20°C/50°C	415x285x190	2	11
080979	BERGER-LED-T50-AS-24400-4K-2M, IP66	19399	136	143	-20°C/50°C	415x285x190	2	11
080977	BERGER-LED-T50-WO-24400-4K-2M, IP66	21132	136	155	-20°C/50°C	415x285x190	2	11
Ta 60°C								
080918	BERGER-LED-T60-30-19800-4K-2M, IP66	16439	107	154	-20°C/60°C	415x285x190	2	11
080915	BERGER-LED-T60-60-19800-4K-2M, IP66	17597	107	164	-20°C/60°C	415x285x190	2	11
080916	BERGER-LED-T60-90-19800-4K-2M, IP66	17866	107	167	-20°C/60°C	415x285x190	2	11
080919	BERGER-LED-T60-AS-19800-4K-2M, IP66	15895	107	149	-20°C/60°C	415x285x190	2	11
080917	BERGER-LED-T60-WO-19800-4K-2M, IP66	17243	107	161	-20°C/60°C	415x285x190	2	11
Ta 70°C								
080938	BERGER-LED-T70-30-12700-4K-2M, IP66	10595	67	158	-20°C/70°C	415x285x190	2	11
080935	BERGER-LED-T70-60-12700-4K-2M, IP66	11331	67	169	-20°C/70°C	415x285x190	2	11
080936	BERGER-LED-T70-90-12700-4K-2M, IP66	11528	67	172	-20°C/70°C	415x285x190	2	11
080939	BERGER-LED-T70-AS-12700-4K-2M, IP66	10259	67	153	-20°C/70°C	415x285x190	2	11
080937	BERGER-LED-T70-WO-12700-4K-2M, IP66	11160	67	167	-20°C/70°C	415x285x190	2	11
Ta -40°C								
080958	BERGER-LED-FROST-30-19800-4K-2M, IP66	16439	107	154	-40°C/50°C	415x285x190	2	11
080955	BERGER-LED-FROST-60-19800-4K-2M, IP66	17597	107	164	-40°C/50°C	415x285x190	2	11
080956	BERGER-LED-FROST-90-19800-4K-2M, IP66	17866	107	167	-40°C/50°C	415x285x190	2	11
080959	BERGER-LED-FROST-AS-19800-4K-2M, IP66	15895	107	149	-40°C/50°C	415x285x190	2	11
080957	BERGER-LED-FROST-WO-19800-4K-2M, IP66	17243	107	161	-40°C/50°C	415x285x190	2	11

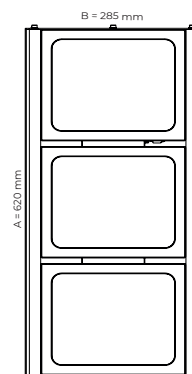
2M - 2 modules



Tolerance of luminous flux and power input of the lighting fixture +/- 10%

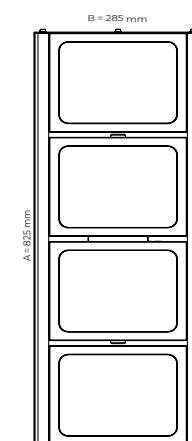
Order number	Name	Lighting fixture luminous flux (lm)	Power input (W)	Rated power output (lm/W)	Ta (°C)	Dimensions of lighting fixture A x B x C (mm)	Nr. LED modules	Weight (Kg)
Ta 50°C								
080903	BERGER-LED-T50-30-36600-4K-3M, IP66	29811	204	146	-20°C/50°C	620x285x190	3	14
080900	BERGER-LED-T50-60-36600-4K-3M, IP66	32251	204	158	-20°C/50°C	620x285x190	3	14
080901	BERGER-LED-T50-90-36600-4K-3M, IP66	32725	204	160	-20°C/50°C	620x285x190	3	14
080904	BERGER-LED-T50-AS-36600-4K-3M, IP66	29159	204	143	-20°C/50°C	620x285x190	3	14
080902	BERGER-LED-T50-WO-36600-4K-3M, IP66	31659	204	155	-20°C/50°C	620x285x190	3	14
Ta 60°C								
080923	BERGER-LED-T60-30-26200-4K-3M, IP66	21603	144	150	-20°C/60°C	620x285x190	3	14
080920	BERGER-LED-T60-60-26200-4K-3M, IP66	23407	144	163	-20°C/60°C	620x285x190	3	14
080921	BERGER-LED-T60-90-26200-4K-3M, IP66	23622	144	164	-20°C/60°C	620x285x190	3	14
080924	BERGER-LED-T60-AS-26200-4K-3M, IP66	21059	144	146	-20°C/60°C	620x285x190	3	14
080922	BERGER-LED-T60-WO-26200-4K-3M, IP66	22899	144	159	-20°C/60°C	620x285x190	3	14
Ta 70°C								
080943	BERGER-LED-T70-30-17800-4K-3M, IP66	14747	94	157	-20°C/70°C	620x285x190	3	14
080940	BERGER-LED-T70-60-17800-4K-3M, IP66	16002	94	170	-20°C/70°C	620x285x190	3	14
080941	BERGER-LED-T70-90-17800-4K-3M, IP66	16130	94	172	-20°C/70°C	620x285x190	3	14
080944	BERGER-LED-T70-AS-17800-4K-3M, IP66	14345	94	153	-20°C/70°C	620x285x190	3	14
080942	BERGER-LED-T70-WO-17800-4K-3M, IP66	15641	94	166	-20°C/70°C	620x285x190	3	14
Ta -40°C								
080963	BERGER-LED-FROST-30-26200-4K-3M, IP66	21603	144	150	-40°C/50°C	620x285x190	3	14
080960	BERGER-LED-FROST-60-26200-4K-3M, IP66	23407	144	163	-40°C/50°C	620x285x190	3	14
080961	BERGER-LED-FROST-90-26200-4K-3M, IP66	23622	144	164	-40°C/50°C	620x285x190	3	14
080964	BERGER-LED-FROST-AS-26200-4K-3M, IP66	21059	144	146	-40°C/50°C	620x285x190	3	14
080962	BERGER-LED-FROST-WO-26200-4K-3M, IP66	22899	144	159	-40°C/50°C	620x285x190	3	14

3M - 3 modules



Order number	Name	Lighting fixture luminous flux (lm)	Power input (W)	Rated power output (lm/W)	Ta (°C)	Dimensions of lighting fixture A x B x C (mm)	Nr. LED modules	Weight (Kg)
Ta 40°C								
080908	BERGER-LED-T40-30-48800-4K-4M, IP66	39749	287	138	-20°C/40°C	825x285x190	4	17
080905	BERGER-LED-T40-60-48800-4K-4M, IP66	43002	287	150	-20°C/40°C	825x285x190	4	17
080906	BERGER-LED-T40-90-48800-4K-4M, IP66	43634	287	152	-20°C/40°C	825x285x190	4	17
080909	BERGER-LED-T40-AS-48800-4K-4M, IP66	38879	287	135	-20°C/40°C	825x285x190	4	17
080907	BERGER-LED-T40-WO-48800-4K-4M, IP66	42212	287	147	-20°C/40°C	825x285x190	4	17
Ta 60°C								
080928	BERGER-LED-T60-30-30200-4K-4M, IP66	24897	163	153	-20°C/60°C	825x285x190	4	17
080925	BERGER-LED-T60-60-30200-4K-4M, IP66	26977	163	166	-20°C/60°C	825x285x190	4	17
080926	BERGER-LED-T60-90-30200-4K-4M, IP66	27224	163	167	-20°C/60°C	825x285x190	4	17
080929	BERGER-LED-T60-AS-30200-4K-4M, IP66	24271	163	149	-20°C/60°C	825x285x190	4	17
080927	BERGER-LED-T60-WO-30200-4K-4M, IP66	26391	163	162	-20°C/60°C	825x285x190	4	17
Ta 70°C								
080948	BERGER-LED-T70-30-24150-4K-4M, IP66	20012	122	164	-20°C/70°C	825x285x190	4	17
080945	BERGER-LED-T70-60-24150-4K-4M, IP66	21714	122	178	-20°C/70°C	825x285x190	4	17
080946	BERGER-LED-T70-90-24150-4K-4M, IP66	21888	122	179	-20°C/70°C	825x285x190	4	17
080949	BERGER-LED-T70-AS-24150-4K-4M, IP66	19466	122	160	-20°C/70°C	825x285x190	4	17
080947	BERGER-LED-T70-WO-24150-4K-4M, IP66	21224	122	174	-20°C/70°C	825x285x190	4	17
Ta -40°C								
080968	BERGER-LED-FROST-30-30200-4K-4M, IP66	24897	163	153	-40°C/50°C	825x285x190	4	17
080965	BERGER-LED-FROST-60-30200-4K-4M, IP66	26977	163	166	-40°C/50°C	825x285x190	4	17
080966	BERGER-LED-FROST-90-30200-4K-4M, IP66	27224	163	167	-40°C/50°C	825x285x190	4	17
080969	BERGER-LED-FROST-AS-30200-4K-4M, IP66	24271	163	149	-40°C/50°C	825x285x190	4	17
080967	BERGER-LED-FROST-WO-30200-4K-4M, IP66	26391	163	162	-40°C/50°C	825x285x190	4	17

4M - 4 modules

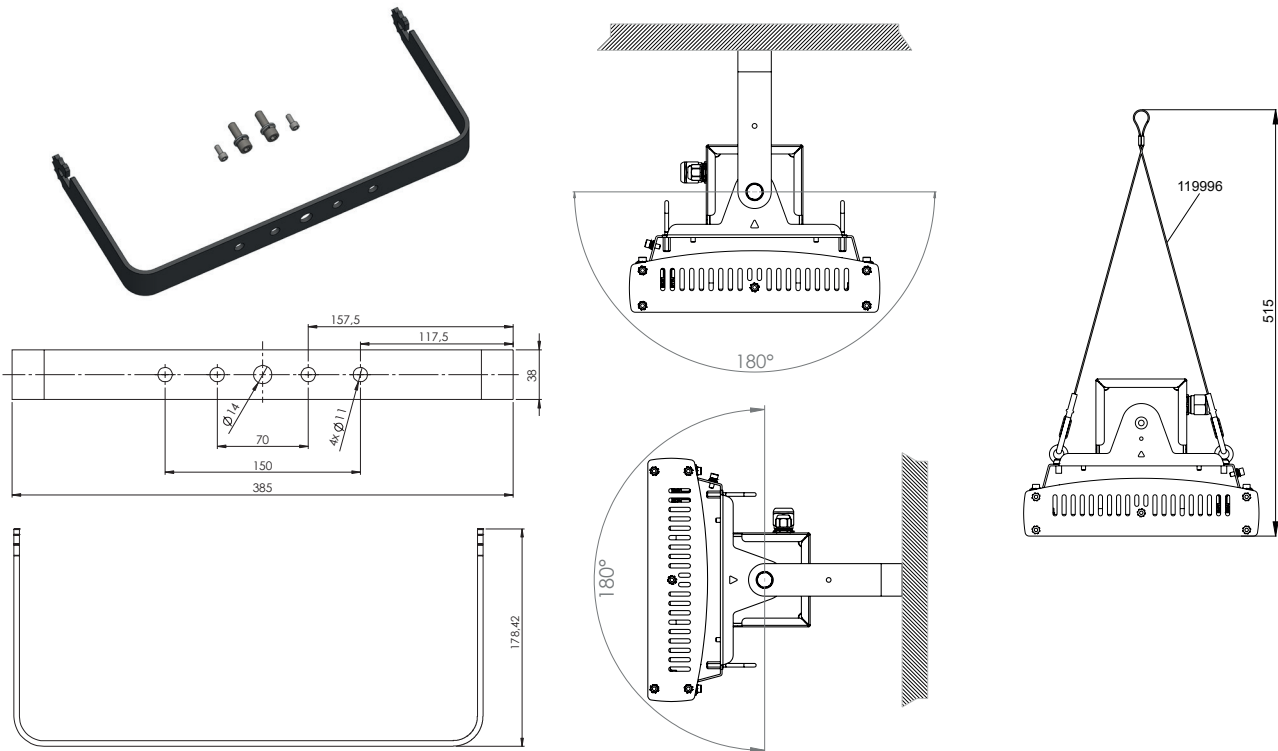


Tolerance of luminous flux and power input of the lighting fixture +/- 10%

Accessories on request

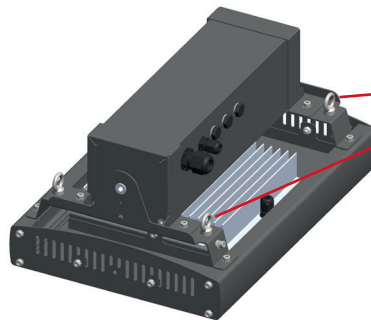
051229 - Adjustable bracket BERGER (painted steel, colour grey RAL 7043)

051235 - Certified galvanized hanger cable BERGER 0,3 m - Y (set 2pc), 2-point-mounting-indoor areas only



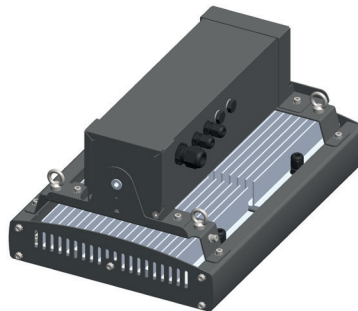
Light fixture variants according to the number of modules

1M - 1 module

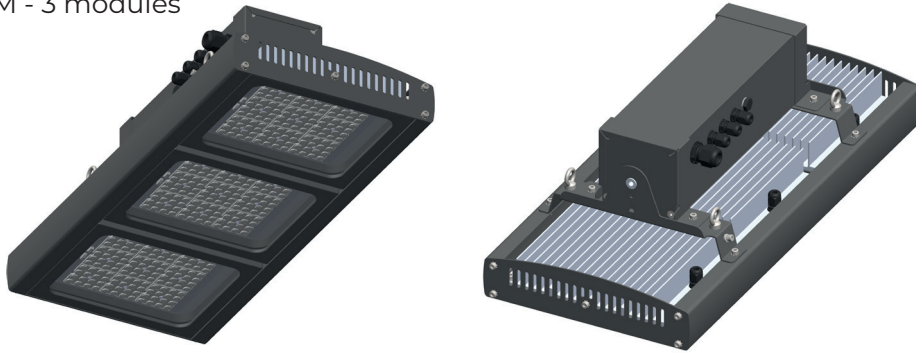


Standard equipment
stainless steel bracket

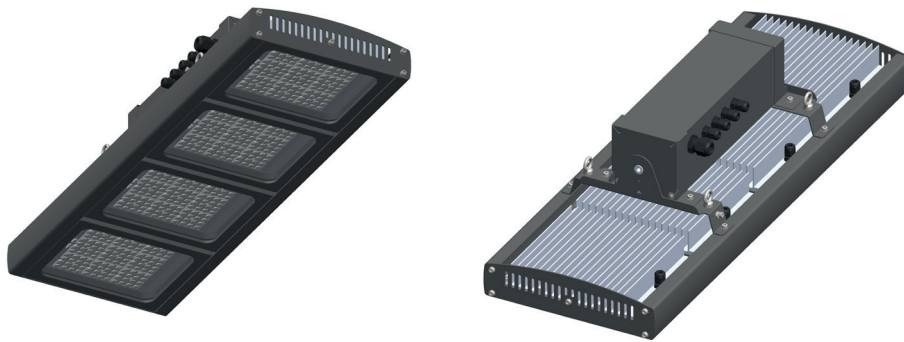
2M - 2 modules



3M - 3 modules



4M - 4 modules



On request

DIM – dimmable electronic ballast (DALI)

2700/3000/4000/5000/5700/6500 K - colour temperature