

ULS-200

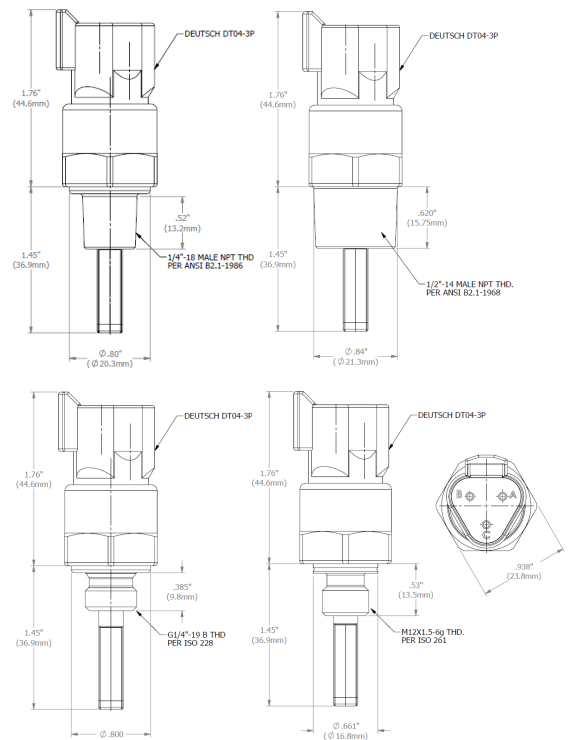
Solid-State Point-Level Sensor



- **Compact:** Approximately 3.21" (81.5 mm) Overall Length for Maximum Install Flexibility or to Free Up Bench Space
- **Reliable:** Repeatable Point-Level with Electronic Solid-State Switching
- **Durable:** IP6K9K Rating For Harsh Conditions & Outdoor Environments, Wide Temperature Range & High-Pressure Capability
- **Versatile:** Reduces Inventory with Simple Product Selection
- **Accurate:** Less Than 1 Second Response Time with Tight Tolerances & Optional Time Delays
- **Approvals:** CE, RoHS

SPECIFICATIONS		
MEDIA	Aqueous, Oil & Hydrocarbon-Based Liquids	
MOUNTINGS	1/4"-18 NPT, 1/2"-14 NPT, G1/4"-19 B, M12x1.5-6g	
WETTED MATERIALS	HOUSING	Brass, 316L Stainless Steel
	O-RING	Buna
	PROBE TIP	PVDF
OPERATING PRESSURE	Up to 300 PSIG	
OPERATING TEMPERATURE	-40° F to +257° F (-40° C to +125° C)	
SUPPLY VOLTAGE	9-32 VDC	
CURRENT CONSUMPTION	6mA Max. (No Load)	
OUTPUT	Solid-State, Sinking or Sourcing Output, 9-32 VDC, 300mA Max.	
ELECTRICAL TERMINATION	3-Pin Deutch, M12**	
TIME DELAY	No Delay, 3 Sec, 5 Sec, 10 Sec	
INGRESS PROTECTION	IPX7 & IP6K9K	

*Time delays are from the sensor switching states to the output signal
 **M12 electrical connector available later in 2024, contact Gems for more information



CONFIGURATION

ULS200	X	X	X	X	X	XX	XX
SERIES	HOUSING MATERIAL	ACTUATION CONDITION	THREAD SIZE	INTEGRAL CONNECTOR	MEDIA BASED SENSING TYPE	TIME DELAY (INCREASING LEVEL)	TIME DELAY (DECREASING LEVEL)
	S - 316L S.S. B - Brass†	A - Wet Sink† B - Dry Sink C - Wet Source D - Dry Source	1 - 1/4" NPT† 2 - 1/2" NPT 3 - M12x1.5 4 - G1/4	Y - Deutch DT04-3P†	W - Water† H - Hydrocarbon	00 - No Delay† 03 - 3 sec. 05 - 5 sec. 10 - 10 sec.	00 - No Delay† 03 - 3 sec. 05 - 5 sec. 10 - 10 sec.

†Standard configuration

FUNCTION EXAMPLE (WET SINKING)

