

# Panel mount flashing beacon FLF1

**Comax**  
Signaltechnik

## General information

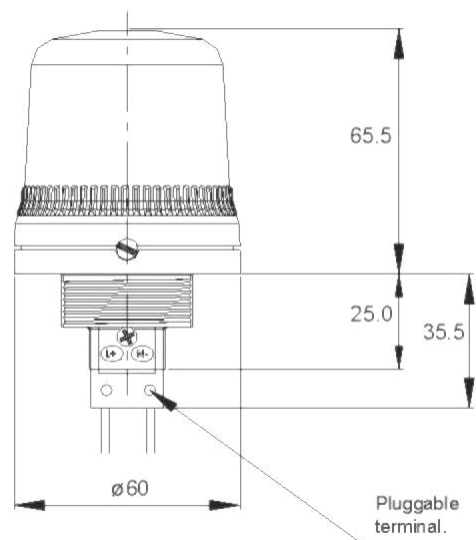
Compact flashing beacon for panel mount installation. For hole with diameter 37mm. Pluggable connection. High degree of protection IP65.

For applications on control panels or on machines.



## Technical data

Dimensions	Ø 60mm x 65,5mm
Case	PC
-colour	black
Lens	PC
-colours	red, amber, yellow, green, blue, clear
Temperature range	-25°C up to +50°C
Construction	Bayonet with anti-tamper locking screw
Operation	continuous
Flashing frequency	1Hz
Installation	Panel mount, Ø 37mm
Connection	plug 0,5 - 1,5mm <sup>2</sup> (included beacon)
Degree of protection	IP65 according to EN60529
Bulb	Ba9s, 5W
Weight	93g



## Order data

No. of article	Nominal tension	Light output	Current consumption
FLF1.012.2*	12VDC	5W	500mA
FLF1.024.2*	24VDC	5W	250mA
FLF1.048.2*	48VDC	5W	120mA
FLF1.115.1*	115VAC 50/60Hz	5W	35mA
FLF1.230.1*	230VAC 50/60Hz	5W	25mA

**Lens colours** 1 = red, 2 = amber, 3 = yellow, 4 = green, 5 = blue, 7 = clear

Technical modifications without prior notice



**Comax**  
Signaltechnik

Comax Industrielle Signaltechnik AG, Römerstrasse 6/Postfach, CH-4512 Bellach/Schweiz  
Tel +41-(0)32-617 31 41 Fax +41-(0)32-617 31 40 e-mail: [mail@comax.ch](mailto:mail@comax.ch) internet: [www.comax.ch](http://www.comax.ch)