

Screw-in temperature sensors / smoke gas temperature sensors with neck tube and passive output

Screw-in resistance thermometer / smoke gas temperature sensor **THERMASGARD® RGTF 2** with neck tube, passive output, exchangeable measuring insert, straight protective tube and connecting head made of aluminium for measuring relatively high temperatures in gaseous or liquid media, e.g. for exhaust air or flue gas temperature measurement.

RGTF 2
Top view

TECHNICAL DATA

Measuring range:	-35...+600 °C (extended range limits from -100...+750 °C optional)
Sensor / output:	see table, passive, glass sensing resistor (Perfect Sensor Protection)
Accuracy class:	class B, DIN EN 60751
Connection type:	2-wire connection (3- or 4-wire connection optional)
Testing current:	approx. 1 mA
Process connection:	screwed socket with G ½" straight pipe thread
Protective tube:	stainless steel, V4A (1.4571), G ½" straight pipe thread, wrench size 27 mm, $p_{max} = 40 \text{ bar}$, $\varnothing = 8 \text{ mm}$ length of neck tube (HL) = 80 mm inserted length (EL) = 100-500 mm (see table)
Connecting head:	form B, material aluminium, colour white aluminium (similar to RAL 9006), ambient temperature -20...+100 °C, M 20 x 1.5
Electrical connection:	0.14- 2.5 mm ² via terminal screws on ceramic base
Insulating resistance:	≥ 100 MΩ, at +20 °C (500 V DC)
Humidity:	< 95% r. H., non-precipitating air
Protection class:	III (according to EN 60730)
Protection type:	IP 54 (according to EN 60529), IP 65 (optional)



2-wire connection
(standard)



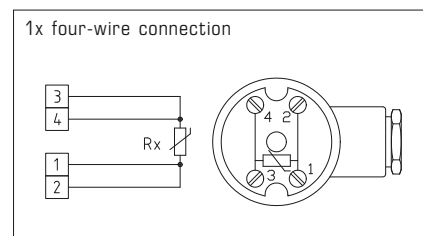
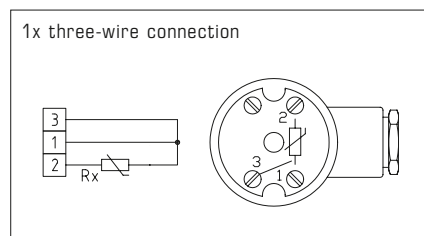
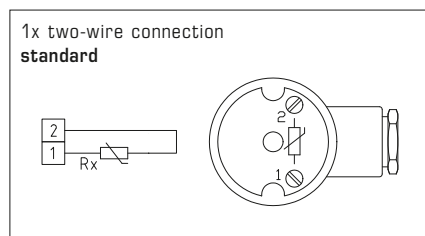
4-wire connection
(optional)

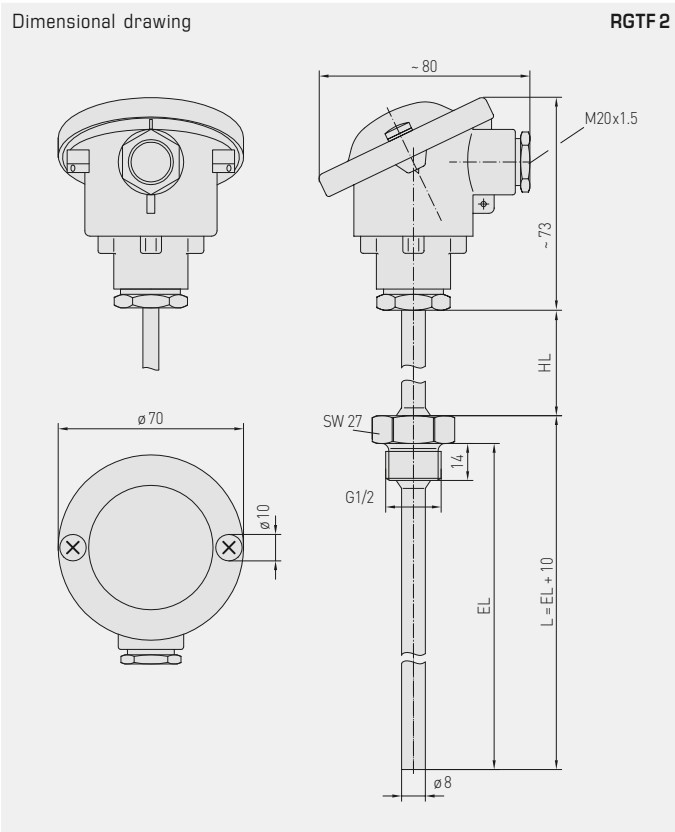


RGTF 2
standard
(IP 54)



RGTF 2
optional
(IP 65)





RGTF2



RGTF2
Measuring insert with ceramic tubelet

High-performance encapsulation against vibration, mechanical stress and humidity

PS-PROTECTION
PERFECT SENSOR PROTECTION

THERMASGARD® RGTF 2 – Screw-in temperature sensors / flue gas temperature sensors with neck tube				
Type / WG03	Sensor / Output	Inserted Length (EL)	Item No.	Price
RGTF2 PT100 xx	Pt100		IP 54	
RGTF2 PT100 100/80MM	Pt100 (according to DIN EN 60 751, class B)	100 mm	1101-2090-1021-000	167,50 €
RGTF2 PT100 150/80MM	Pt100 (according to DIN EN 60 751, class B)	150 mm	1101-2090-1031-000	168,58 €
RGTF2 PT100 200/80MM	Pt100 (according to DIN EN 60 751, class B)	200 mm	1101-2090-1041-000	173,95 €
RGTF2 PT100 250/80MM	Pt100 (according to DIN EN 60 751, class B)	250 mm	1101-2090-1051-000	175,02 €
RGTF2 PT100 300/80MM	Pt100 (according to DIN EN 60 751, class B)	300 mm	1101-2090-1061-000	182,53 €
RGTF2 PT100 500/80MM	Pt100 (according to DIN EN 60 751, class B)	500 mm	1101-2090-1101-000	194,35 €
RGTF2 PT1000 xx	Pt1000		IP 54	
RGTF2 PT1000 100/80MM	Pt1000 (according to DIN EN 60 751, class B)	100 mm	1101-2090-5021-000	167,50 €
RGTF2 PT1000 150/80MM	Pt1000 (according to DIN EN 60 751, class B)	150 mm	1101-2090-5031-000	168,58 €
RGTF2 PT1000 200/80MM	Pt1000 (according to DIN EN 60 751, class B)	200 mm	1101-2090-5041-000	173,95 €
RGTF2 PT1000 250/80MM	Pt1000 (according to DIN EN 60 751, class B)	250 mm	1101-2090-5051-000	175,02 €
RGTF2 PT1000 300/80MM	Pt1000 (according to DIN EN 60 751, class B)	300 mm	1101-2090-5061-000	182,53 €
RGTF2 PT1000 500/80MM	Pt1000 (according to DIN EN 60 751, class B)	500 mm	1101-2090-5101-000	194,35 €
Extra charge:	Protection type IP 65 (B-Head)			7,96 €
	Other ranges optional			21,42 €
For special orders please specify:	Type, sensor, measuring range, connection type, process connection, Length of neck tube and inserted length			